



SEA-BIRD
SCIENTIFIC

User Manual

Release Date: 03/31/2015

SBE Sea-Bird
Electronics

SBE 63 Optical Dissolved Oxygen Sensor

With RS-232 Interface



*SBE 63 DO Sensor
(available in plastic or titanium housing)*

Manual version
Firmware version
Software version

- 010
- 3.2.2 & later
- Seaterm V2 2.4.1 & later



*Sensor mount (available in plastic or titanium)
for installation on SeaCAT CTD*

Sea-Bird Electronics
13431 NE 20th Street
Bellevue, Washington
98005 USA

Tel: +1 425-643-9866
seabird@seabird.com
www.seabird.com

Limited Liability Statement

Extreme care should be exercised when using or servicing this equipment. It should be used or serviced only by personnel with knowledge of and training in the use and maintenance of oceanographic electronic equipment.

SEA-BIRD ELECTRONICS, INC. disclaims all product liability risks arising from the use or servicing of this system. SEA-BIRD ELECTRONICS, INC. has no way of controlling the use of this equipment or of choosing the personnel to operate it, and therefore cannot take steps to comply with laws pertaining to product liability, including laws which impose a duty to warn the user of any dangers involved in operating this equipment. Therefore, acceptance of this system by the customer shall be conclusively deemed to include a covenant by the customer to defend, indemnify, and hold SEA-BIRD ELECTRONICS, INC. harmless from all product liability claims arising from the use or servicing of this system.

Declaration of Conformity

Sea-Bird Electronics, Inc.

13431 NE 20th Street, Bellevue, WA 98005 USA

DECLARATION OF CONFORMITY

Manufacturer's Name: Sea-Bird Electronics

Manufacturer's Address: 13431 NE 20th Street
Bellevue, WA 98005, USA

The Authorized Representative located within the Community is:

OTT MESSTECHNIK GmbH & Co.KG
P.O.Box: 2140 / 87411 Kempten / Germany
Ludwigstrasse 16 / 87437 Kempten
Internet: <http://www.ott.com>
Phone: +49 831 5617 – 100
Fax: +49 831 5617 - 209

Device Description: Various Data Acquisition Devices and Sensors

Model Numbers:

3S	3F	3plus	4C	4M	5T	5P	5M	7
8	9plus	11plus	14	16plus V2	16plus-IM V2		17plus V2	18
19plus V2	21	25plus	26plus	27	29	32	32C	32SC
33	35	35RT	36	37-IMP	37-IM	37-SMP	37-SM	37-SIP
37-SI	38	39	39-IM	39plus	41	41CP	43	43F
44	45	49	50	52-MP	53BPR	54	55	56
63	SIM	ICC	IMM	PDIM	AFM	90488	90204	90402
90504	Glider Payload CTD		NiMH Battery Charger and Battery Pack					

Applicable EU Directives: Machinery Directive 98 / 37 /EC
EMC Directive 2004 / 108 /EC
Low Voltage Directive (73 / 23 /EEC) as amended by (93 / 68 /EEC)

Applicable Harmonized Standards:
EN 61326-1:2006 Class A Electrical Equipment for Measurement, Control, and Laboratory Use, EMC Requirement – Part 1: General Requirements
(EN 55011:2007 Group 1, Class A)

EN 61010-1:2001, Safety Requirements for Electrical Equipments for Measurement, Control, and Laboratory Use – Part 1: General Requirements

Declaration based upon compliance to the Essential Requirements and Letter of Opinion from CKC Certification Services, LLC., Notified Body 0976

I, the undersigned, hereby declare that the equipment specified above conforms to the above European Union Directives and Standards.

Authorized Signature: 
Name: Nordeen Larson
Title of Signatory: President
Date: 3 September 2013
Place: Bellevue, WA

Table of Contents

Limited Liability Statement	2
Declaration of Conformity	3
Table of Contents	4
Section 1: Introduction	5
About this Manual	5
Quick Start	5
Unpacking SBE 63.....	6
Section 2: Description of SBE 63	7
System Description	7
Specifications.....	8
Dimensions and Connector	9
Section 3: Preparing SBE 63 for Deployment	10
Software Installation.....	10
Power and Communications Test	10
Test Setup	10
Test	11
Section 4: Deploying and Operating SBE 63	16
Sampling Modes	16
Polled Sampling	16
Autonomous Sampling	18
Command Descriptions.....	20
Data Formats.....	32
Deployment.....	34
Integration with SeaCAT CTD (SBE 16 <i>plus</i> V2, 16 <i>plus</i> -IM V2, or 19 <i>plus</i> V2)	34
Integration with MicroCAT CTD (SBE 37-SMP-ODO, 37-IMP-ODO).....	35
Recovery	36
Section 5: Routine Maintenance and Calibration	37
Corrosion Precautions.....	37
Connector Mating and Maintenance	37
Sensor Maintenance	38
Sensor Calibration.....	39
Section 6: Troubleshooting	40
Problem 1: Unable to Communicate with SBE 63.....	40
Problem 2: Unreasonable Data	40
Glossary	42
Appendix I: Functional Description	43
Appendix II: Installation/Removal from Optional Sensor Mount	47
Appendix III: Command Summary	48
Appendix IV: Replacement Parts	49
Appendix V: Manual Revision History	50
Index	52

Section 1: Introduction

This section includes a Quick Start procedure, and photos of a typical SBE 63 shipment.

About this Manual

This manual is to be used with the SBE 63 Digital Optical Dissolved Oxygen Sensor. It is organized to guide the user from installation through operation and data collection. We've included detailed specifications, command descriptions, maintenance and calibration information, and helpful notes throughout the manual.

Sea-Bird welcomes suggestions for new features and enhancements of our products and/or documentation. Please contact us with any comments or suggestions (seabird@seabird.com or 425-643-9866). Our business hours are Monday through Friday, 0800 to 1700 Pacific Standard Time (1600 to 0100 Universal Time) in winter and 0800 to 1700 Pacific Daylight Time (1630 to 0000 Universal Time) the rest of the year.

Quick Start

Follow these steps to get a Quick Start using the SBE 63.
The manual provides step-by-step details for performing each task:

1. Perform pre-check procedures (see *Section 3: Preparing SBE 63 for Deployment*):
 - A. Test power and communications.
2. Deploy the SBE 63 (see *Section 4: Deploying and Operating SBE 63*):
 - A. Establish setup and operating parameters.
 - B. Check status (**GetSD**) and calibration coefficients (**GetCC**) to verify setup.
 - C. Install I/O cable connector and locking sleeve, and mount SBE 63.
 - D. Deploy SBE 63.

Unpacking SBE 63

Shown below is a typical SBE 63 shipment.



SBE 63 (plastic housing)

OR



SBE 63 (titanium housing)



Optional sensor mount for installation on SBE 16*plus* V2, 16*plus*-IM V2, or 19*plus* V2 (plastic mount shown; titanium mount also available)



Software, and Electronic Copies of Software Manuals and User Manual

Section 2: Description of SBE 63

This section describes the functions and features of the SBE 63, including specifications and dimensions.

System Description



SBE 63 (plastic housing)



SBE 63 (titanium housing)

The SBE 63 is an easy-to-use, light, compact instrument ruggedly made of titanium and other low-maintenance (plastic) materials, designed to be incorporated into oceanographic sensing systems at depths up to 600 or 7000 meters (1960 or 23,000 feet). Commands sent to the SBE 63 provide status display, data acquisition setup, and diagnostic tests. Its data is telemetered by its internal, 3-wire, RS-232C interface. The SBE 63 has no sample memory or internal batteries.

The SBE 63 samples in two modes:

- **Autonomous sampling** – The SBE 63 samples at pre-programmed intervals of 1 to 32,767 seconds. It can be set to average up to 255 measurements per sample, and transmits the averaged data. The SBE 63 can be programmed to begin autonomous sampling when power is applied or on command.
- **Polled sampling** – On command, the SBE 63 takes one sample and transmits the data.

The SBE 63 outputs raw or converted (ASCII engineering units) data in one of a number of formats, for compatibility with existing CTDs.

Each SBE 63 is calibrated individually in a temperature-controlled bath. Bath temperatures are varied at each of 4 oxygen values, providing a comprehensive 24-point calibration. Two reference sensors in each bath are standardized against Winkler titrations. Response time tests are conducted on each sensor, using gas. Salinity and pressure impacts on sensor response are each checked at two separate points.

The SBE 63 is designed for use in a CTD's pumped flow path, providing optimum correlation with CTD measurements. The elapsed time between the CTD and associated oxygen measurement is easily quantified, and corrected for in post-processing. The plumbing's black tubing blocks light, reducing in-situ algal growth.

Configuration options:

- With the optional sensor mount, the SBE 63 can be plugged into the RS-232 auxiliary sensor connector of the SBE *16plus* V2, *16plus-IM* V2, or *19plus* V2 SeaCAT CTD. Configuration choices for the SBE 63 include a 600-meter plastic housing or 7000-meter titanium housing. Configuration choices for the mount include a 5000-meter plastic mount or 7000-meter titanium mount, and an XSG or wet-pluggable MCBH connector.
- The SBE 63 with a 600-meter plastic or 7000-meter titanium housing can be integrated into an SBE 37 MicroCAT (37-IMP-ODO or 37-SMP-ODO).
- On a Sea-Bird Navis float CTD or other Argo float CTD, the SBE 63 has a 7000-meter titanium housing. The SBE 63 is physically integrated with the CTD. Electronic operation of the SBE 63 requires an RS-232 interface in the float controller; this interface is included in the Navis float.

The SBE 63 is supplied with a powerful Windows software package, Seasoft V2, which includes:

Notes:

- Help files provide detailed information on the software.
- A separate software manual on CD-ROM contains detailed information on the setup and use of Seasave V7 and SBE Data Processing.
- Sea-Bird supplies the current version of our software when you purchase an instrument. As software revisions occur, we post the revised software on our website. See our website for the latest software version number, a description of the software changes, and instructions for downloading the software.

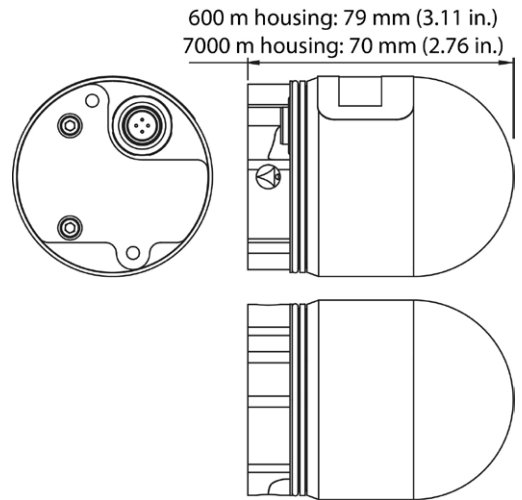
- **SeatermV2** - terminal program for communication and data retrieval. SeatermV2 is a *launcher*, and launches the appropriate terminal program for the selected instrument (**Seaterm232** for RS-232 instruments such as this SBE 63).
- **Seasave V7** – program for acquiring, converting, and displaying real-time or archived raw data.
- **SBE Data Processing** – program for calculation and plotting of conductivity, temperature, pressure, auxiliary sensor data (such as dissolved oxygen), and derived variables such as salinity and sound velocity.

Specifications

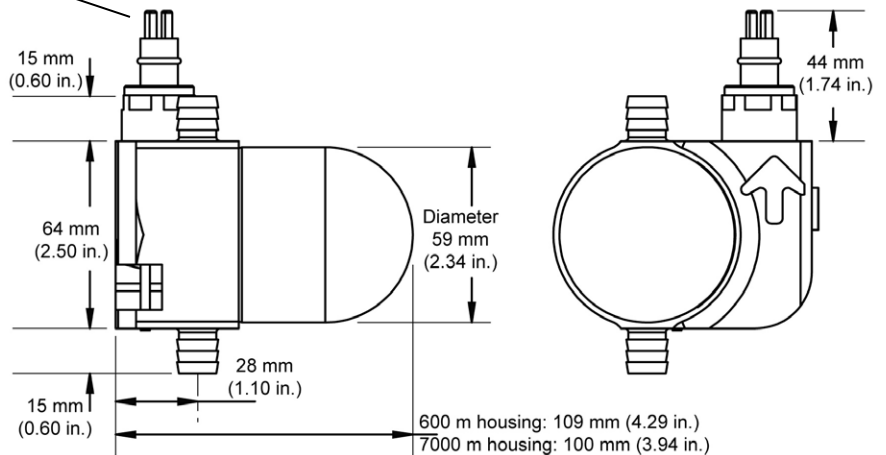
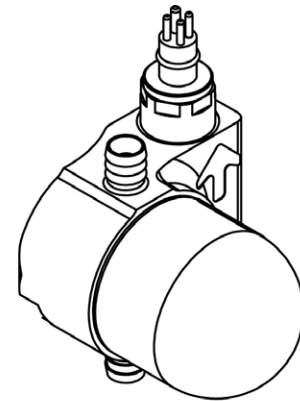
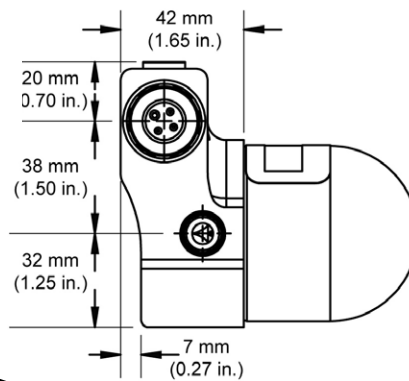
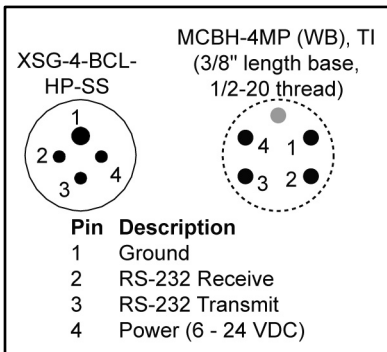
Measurement Range	120% of surface saturation in all natural waters, fresh and salt								
Initial Accuracy	Larger of $\pm 3 \mu\text{mol/kg}$ (equivalent to 0.07 ml/L or 0.1 mg/L) or $\pm 2\%$								
Resolution	0.2 $\mu\text{mol/kg}$								
Sample-Based Drift	< 1 $\mu\text{mol/kg}$ / 100,000 samples (20 °C)								
Response Time (τ , 63% response)	< 6 sec (20 °C)								
Sampling Speed	1 Hz (1 sample/sec)								
Calibration	Each sensor fully and individually calibrated (0 – 450 $\mu\text{mol/kg}$ oxygen, 0 – 30 °C, 0 – 35 psu, 0 – 2000 dbars) 8 coefficients plus 4 temperature compensation coefficients								
Input Power	6 - 24 VDC, 35 mA (0.08 J/sample)								
Output Signal	RS-232, 600-115,200 baud (user-selectable), 8 data bits, no parity, 1 stop.								
Depth rating, housing, and weight (in air)	<p><i>Sensor:</i></p> <table> <tr> <td>600 m (1960 ft) plastic housing:</td> <td>245 g (0.54 lbs)</td> </tr> <tr> <td>7000 m (22,960 ft) titanium housing:</td> <td>270 g (0.60 lbs)</td> </tr> </table> <p><i>Optional sensor mount for use with SBE 16plus V2, 16plus-IM V2, or 19plus V2 SeaCAT:</i></p> <table> <tr> <td>5000 m (16,400 ft) plastic mount</td> <td>190 g (0.42 lbs)</td> </tr> <tr> <td>7000 m (22,960 ft) titanium mount</td> <td>545 g (1.2 lbs)</td> </tr> </table>	600 m (1960 ft) plastic housing:	245 g (0.54 lbs)	7000 m (22,960 ft) titanium housing:	270 g (0.60 lbs)	5000 m (16,400 ft) plastic mount	190 g (0.42 lbs)	7000 m (22,960 ft) titanium mount	545 g (1.2 lbs)
600 m (1960 ft) plastic housing:	245 g (0.54 lbs)								
7000 m (22,960 ft) titanium housing:	270 g (0.60 lbs)								
5000 m (16,400 ft) plastic mount	190 g (0.42 lbs)								
7000 m (22,960 ft) titanium mount	545 g (1.2 lbs)								

Dimensions and Connector

**SBE 63 sensor for integration with
SBE 37 ODO MicroCAT (600 m or 7000 m housing),
or
CTD for Navis and other Argo Floats (7000 m housing)**



**SBE 63 sensor installed in sensor
mount, for use with RS-232
auxiliary sensor channel on CTD
(SBE 16plus V2, 16plus-IM V2, or
19plus V2 SeaCAT)**



Note: Sensor mount is rated to 5000 m (plastic version) or 7000 m (titanium version); dimensions are identical.

Section 3: Preparing SBE 63 for Deployment

This section describes installing software and testing power and communications.

Software Installation

Notes:

- Help files provide detailed information on the software.
- It is possible to use the SBE 63 without the SeatermV2 terminal program by sending direct commands from a dumb terminal or terminal emulator, such as Windows HyperTerminal.
- Sea-Bird supplies the current version of our software when you purchase an instrument. As software revisions occur, we post the revised software on our website. See our website for the latest software version number, a description of the software changes, and instructions for downloading the software.

Seasoft V2 was designed to work with a PC running Windows XP service pack 2 or later, Windows Vista, or Windows 7 (32-bit or 64-bit).

If not already installed, install SeatermV2 and other Sea-Bird software programs on your computer using the supplied software CD:

1. Insert the CD in your CD drive.
2. Install software: Double click on **SeasoftV2.exe**. Follow the dialog box directions to install the software. The installation program allows you to install the desired components. Install all the components, or just install SeatermV2, Seasave V7, and SBE Data Processing.

The default location for the software is c:\Program Files\Sea-Bird. Within that folder is a sub-directory for each program.

Power and Communications Test

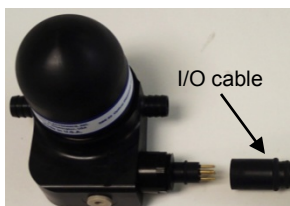
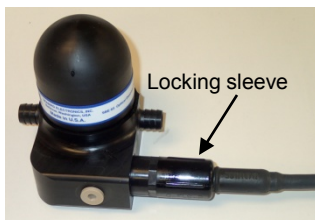
Note:

SBE 63 integrated with a MicroCAT (37-SMP-ODO, IMP-OD): See the **MicroCAT manual** for information on communicating with the SBE 63 through the MicroCAT.

The power and communications test will verify that the system works, prior to deployment.

Test Setup

1. Remove dummy plug (if applicable):
 - A. By hand, unscrew the locking sleeve from the SBE 63's bulkhead connector. **If you must use a wrench or pliers, be careful not to loosen the bulkhead connector instead of the locking sleeve.**
 - B. Remove the dummy plug from the SBE 63's I/O bulkhead connector by pulling the plug firmly away from the connector.
2. **XSG Connector** - Install the I/O cable connector, aligning the raised bump on the side of the connector with the large pin (pin 1 - common) on the SBE 63 sensor mount. **OR**
MCBH Connector – Install the I/O cable connector, aligning the pins.
3. Connect the I/O cable connector to your computer's serial port.
4. Connect the I/O cable connector's red (+) and black (-) wires to a power supply (6 – 24 VDC).

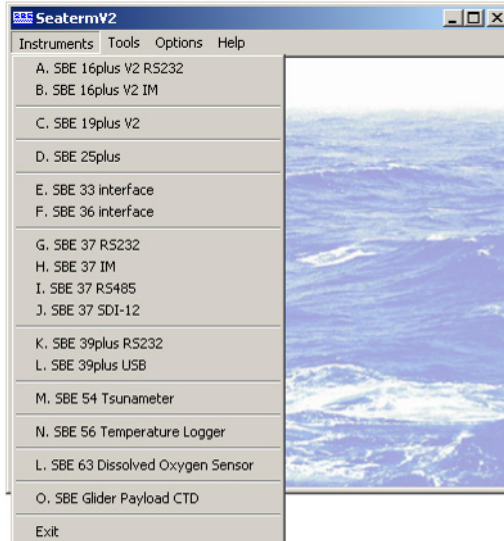


Test

1. Double click on **SeatermV2.exe**. The main screen looks like this:

Notes:

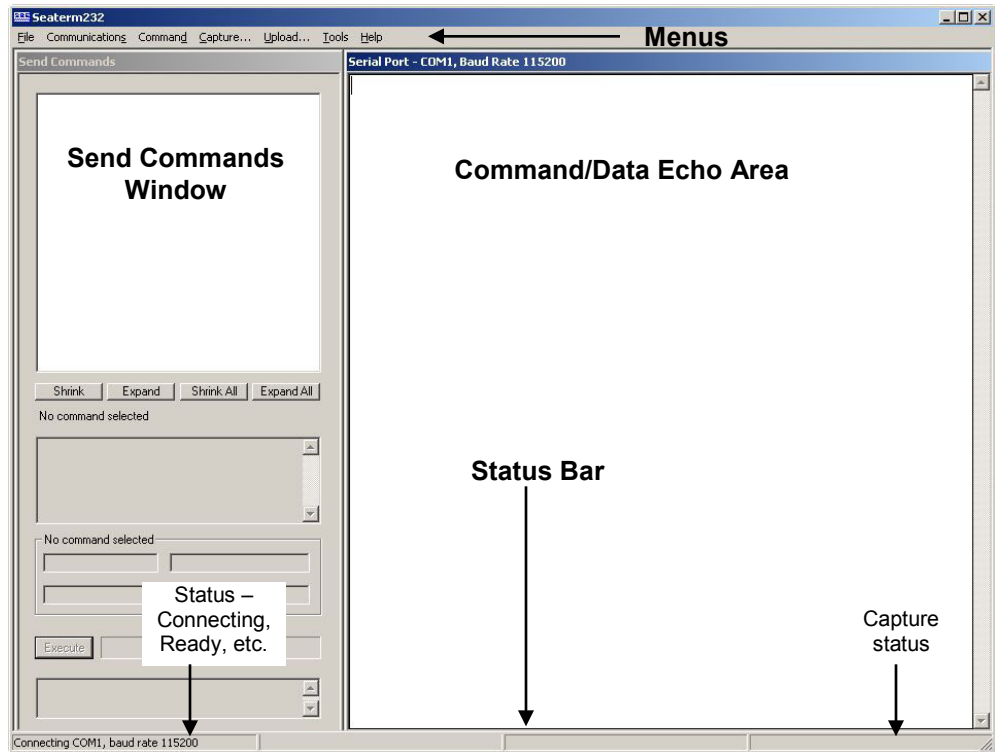
- You can use any terminal program to set up the SBE 63; set it to 8 data bits, no parity, 1 stop bit, and 9600 baud (default SBE 63 baud rate). Instructions here are for using SeatermV2.
- See SeatermV2's Help files.



SeatermV2 is a *launcher*. Depending on the instrument selected, it launches Seaterm232 (RS-232 instruments), Seaterm485 (RS-485 instruments), or SeatermIM (inductive modem instruments).

Note:
See Seaterm232's Help files.

2. In the Instruments menu, select *SBE 63 Dissolved Oxygen Sensor*. **Seaterm232** opens; the main screen looks like this:



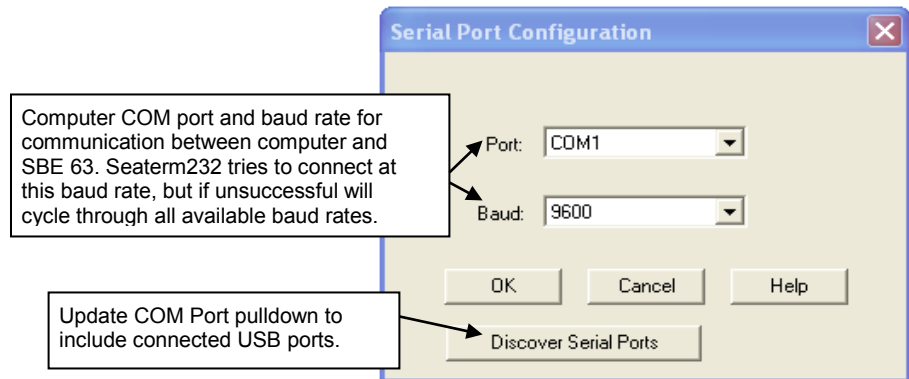
- **Menus** – For tasks and frequently executed instrument commands.
- **Send Commands window** – Contains commands applicable to your SBE 63. The list appears after you connect to the SBE 63.
- **Command/Data Echo Area** – Title bar of this window shows Seaterm232's current comm port and baud rate. Commands and the SBE 63 responses are echoed here. Additionally, a command can be manually typed or pasted (ctrl + V) here. Note that the SBE 63 must be *connected* and *awake* for it to respond to a command.
- **Status bar** – Provides connection, script, and capture status information.

Following is a description of the menus:

Menu	Description	Equivalent Command*
File	<ul style="list-style-type: none"> • Load command file – opens selected .XML command file, and fills Send Commands window with commands • Unload command file – closes command file, and removes commands from Send Commands window • Exit - Exit program. 	—
Communications	<ul style="list-style-type: none"> • Connect – connect to comm port • Disconnect – disconnect from comm port • Configure – Establish communication parameters (comm port and baud rate). • Disconnect and reconnect – may be useful if SBE 63 has stopped responding 	—
Command	<ul style="list-style-type: none"> • Abort – interrupt and stop SBE 63 response • Send stop command <p>Remaining menu items are not applicable to SBE 63</p>	<ul style="list-style-type: none"> • (press Esc key) • Stop
Capture	<p>Capture SBE 63 responses on screen to file, to save real-time data or use for diagnostics. File has .cap extension. Click Capture again to turn off capture. Capture status displays in Status bar.</p>	—
Upload	Not applicable to SBE 63	—
Tools	<ul style="list-style-type: none"> • Diagnostics log - Keep a diagnostics log. • Convert .XML data file – not applicable to SBE 63 • Send script – Send XML script to SBE 63. May be useful if you have a number of SBE 63s to program with same setup. 	—

*See *Command Descriptions* in *Section 4: Deploying and Operating SBE 63*.

3. If this is the first time Seaterm232 is being used, the Serial Port Configuration dialog box displays:



Make the desired selections, and click OK.

Note:

Seaterm232's baud rate must be the same as the SBE 63 baud rate (set with **SetBaud=**). Baud is factory-set to 9600, but can be changed by the user (see *Command Descriptions* in *Section 4: Deploying and Operating SBE 63*). Other communication parameters – 8 data bits, 1 stop bit, and no parity – cannot be changed.

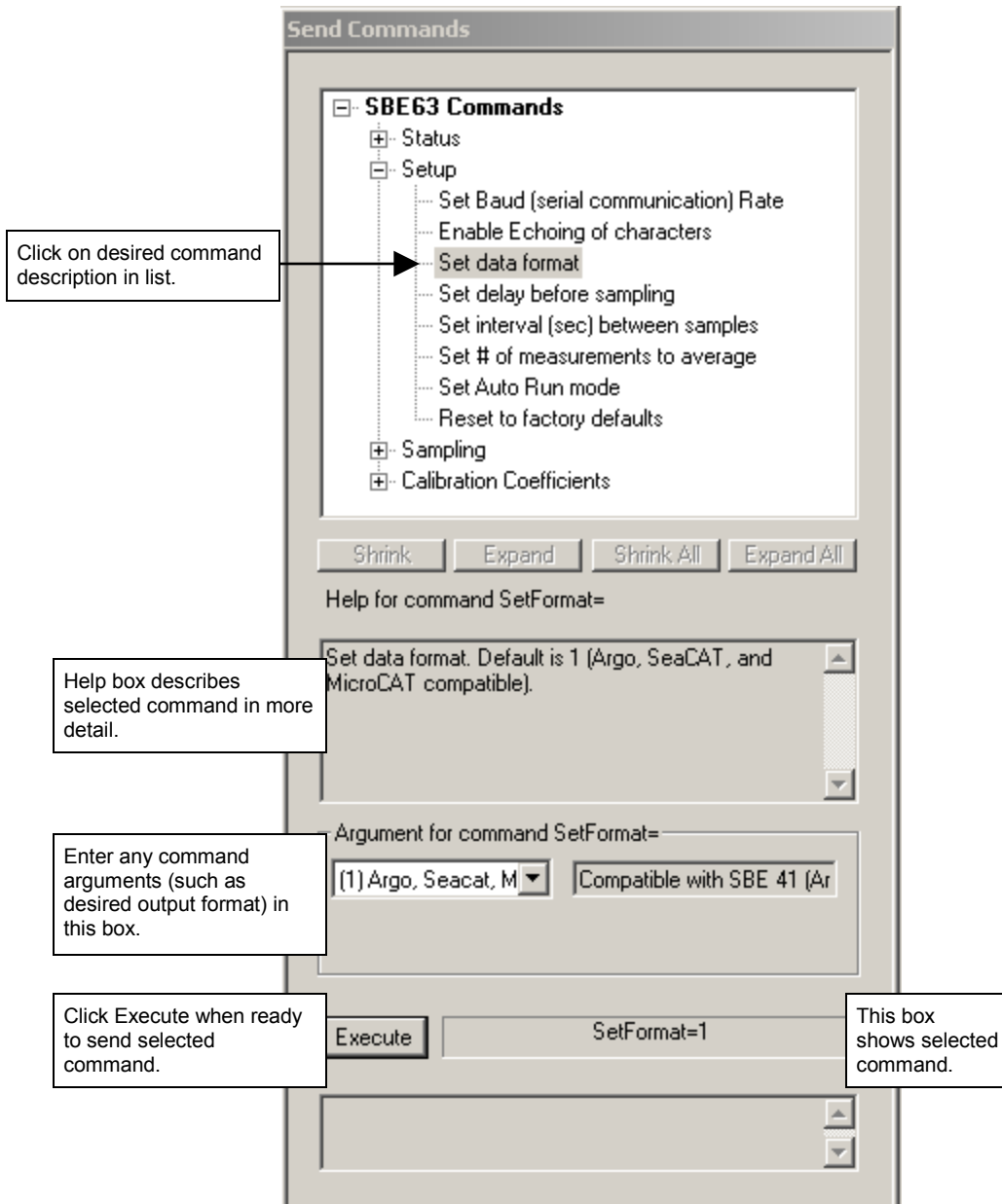
4. Seaterm232 tries to automatically connect to the SBE 63. As it connects, it sends **GetHD** and displays the response, which provides factory-set data such as instrument type, serial number, and firmware version. Seaterm232 also fills the Send Commands window with the correct list of commands for your SBE 63.

If there is no communication:

- In the Communications menu, select *Configure*. The Serial Port Configuration dialog box appears. Select the Comm port and baud rate for communication, and click OK. Note that the factory-set baud rate is documented on the Configuration Sheet. .
- In the Communications menu, select *Connect* (if *Connect* is grayed out, select *Disconnect and reconnect*). Seaterm232 will attempt to connect at the baud specified in Step A, but if unsuccessful will then cycle through all other available baud rates.
- If there is still no communication, check cabling between the computer and SBE 63, and try to connect again.
- If there is still no communication, repeat Step A with a different comm port, and try to connect again.

After Seaterm232 displays the **GetHD** response, it provides an S> prompt to indicate it is ready for the next command.

Taking a look at the Send Commands window:



You can use the Send Commands window to send commands, or simply type the commands in the Command/Data Echo area if desired.

5. Display SBE 63 setup and hardware information by typing **GetHD** and pressing the Enter key. The display looks like this:

```
<HardwareData DeviceType = 'SBE063' SerialNumber = '0013'>
  <Manufacturer>Sea-Bird Electronics, Inc.</Manufacturer>
  <FirmwareVersion>3.2.2</FirmwareVersion>
  <FirmwareDate>Mar 2 2015 15:03:49</FirmwareDate>
  <CommandSetVersion>1.4</CommandSetVersion>
  <MFGDate>05523</MFGDate>
  <PCBAssembly>41755</PCBAssembly>
  <PCBSerialNum>56556</PCBSerialNum>
  <PCBAssembly>41756</PCBAssembly>
  <PCBSerialNum>57151</PCBSerialNum>
  <FilmSerialNum>00077</FilmSerialNum>
  <SupplyVoltage>8.63</SupplyVoltage>
  <LoaderVersion>SBE 63 FirmwareLoader V 1.0</LoaderVersion>
  <CalibrationDate>04150</CalibrationDate>
  <HardwareConfig>
    <BaudRate>009600</BaudRate>
    <BlueOnTime>0000000</BlueOnTime>
    <SampleAvg>002</SampleAvg>
    <SampleInterval>00004</SampleInterval>
    <BootDelay>001</BootDelay>
    <OutFormat>01</OutFormat>
    <AnalogGain>2</AnalogGain>
    <AnalogOffset>00</AnalogOffset>
    <AutoRun>0</AutoRun>
    <BlueTupdate>0</BlueTupdate>
    <SerPause>1</SerPause>
    <Echo>1</Echo>
    <TxPwrSave>0</TxPwrSave>
    <Flags>0x0023</Flags>
  </HardwareConfig>
</HardwareData>
```

6. Command the SBE 63 to take a sample by typing **TS** and pressing the Enter key. The display looks like this (if SBE 63 is set up with **SetFormat=1**):

```
16.411,0.550736,5.980,25.0011
```

where 16.411 = raw phase delay
 0.550736 = raw thermistor voltage
 5.980 = converted oxygen in ml/l
 25.0011 = temperature in deg C

The SBE 63 is ready for programming and deployment.

Section 4: Deploying and Operating SBE 63

This section provides instructions for deploying the SBE 63. It includes:

Note:

Separate software manuals and Help files contain detailed information on installation, setup, and use of Sea-Bird's software.

- Sampling modes, including example sets of commands
- Command descriptions
- Data output formats
- Deployment
- Recovery

Sampling Modes

Notes:

- Sea-Bird ships the SBE 63 with **SetAutoRun=0** (it will not automatically start sampling when power is applied). If you previously sent **SetAutoRun=1** (it automatically started sampling when power was applied), press the Esc key to stop sampling. You will then be able to send commands to change the setup.
- SBE 63 response to commands is not shown in examples.

The SBE 63 has two sampling modes for obtaining data:

- Polled Sampling
- Autonomous Sampling

Shown below are descriptions and examples of the two sampling modes. Note that the SBE 63's response to each command is not shown in the examples. Review the operation of the sampling modes and the commands described in *Command Descriptions* before setting up your system.

Polled Sampling

On command (**TS** or **TSR**), the SBE 63 takes one sample of data and transmits the data.

Example 1: Polled Sampling (user input in bold).

Set up to wait for a command upon power up (**SetAutoRun=0**). Set up to echo commands (**SetEcho=1**), output converted oxygen and temperature data (**SetFormat=0**), and average 2 measurements/sample (**SetAvg=2**). Verify setup with status (**GetHD**) command. Remove power.

(Apply power, then select Connect in Seaterm232's Communications menu to connect and wake up.)

S>**SETAUTORUN=0**

S>**SETECHO=1**

S>**SETFORMAT=0**

S>**SETAVG=2**

S>**GETHD** (to verify setup)

(Remove power.)

When ready to take a sample (repeat as desired): apply power, establish communications with SBE 63, command it to take a sample and output data in format established with **SetFormat=**, and remove power.

(Apply power, then select *Connect* in Seaterm232's Communications menu to connect and wake up.)

(Before first sample, click Capture menu to capture data to a file – Seaterm232 requests file name for data to be stored.)

S>**TS**

(Remove power.)

Examples continued on next page

Note:

When using the SBE 63 with an SBE 16*plus* V2, 16*plus*-IM V2, or 19*plus* V2 CTD, the following setup in the **SBE 63** is required:

- **SetBaud=** to the baud rate set in the CTD (1200 for the 16*plus*-IM V2)
- **SetEcho=1**
- **SetFormat=1**
- **SetAvg=1 to 16; recommended value is 2**
- **SetAutoRun=0**

In the CTD, set:

- Pump mode to 2 (**PumpMode=2**).
 - Delay before sampling (**DelayBeforeSampling=**) to 25 sec at 15 °C to 40 sec at 0 °C (linear interpolation between those values). This provides enough time for the SBE 63 to equilibrate after pumping begins, before the measurement is made.
- In the CTD, the interval between samples (**SampleInterval=**) must be greater than or equal to the sum of the times required to sample. Total time is affected by the following:
- Minimum time required for CTD to take a sample (≈ 2.5 sec).
 - Time required for integration of optional Quartz pressure sensor (**ParosIntegration=**).
 - Time required for CTD to take and average **NCycles=** samples; samples are taken 0.25 sec apart.
 - Delay after providing power to external sensors before sampling (**DelayBeforeSampling=**); described above.
 - Delay after sampling before turning off power to external sensors (**DelayAfterSampling=**).
- For the 16*plus*-IM V2, commands are preceded by #ii (ii=ID).

Example 2: Polled Sampling with SBE 16plus V2 (user input in bold).

Set up to wait for a command upon power up (**SetAutoRun=0**). Set up to echo commands (**SetEcho=1**), average 2 measurements per output sample (**SetAvg=2**), and output data in a format compatible with 16*plus* V2 (**SetFormat=1**). Set SBE 63 baud rate to same baud as 16*plus* V2 (assume 9600 baud for this example). Verify setup with status (**GetHD**) command. Remove power.

(Apply power to SBE 63, then select Connect in Seaterm232's Communications menu to connect to and wake up SBE 63.)

S>**SETAUTORUN=0**

S>**SETECHO=1**

S>**SETAVG=2**

S>**SETFORMAT=1**

S>**SETBAUD=9600** (get message to re-enter baud)

S>**SETBAUD=9600**

(In Seaterm232's Communications menu, select Configure. Change baud to 9600 and click OK. In Seaterm232's Communications menu, select disconnect and reconnect. You will now be communicating at new baud.)

S>**GETHD** (to verify setup)

(Remove power from SBE 63.)

When ready to begin sampling: Connect SBE 63 to 16*plus* V2 RS-232 auxiliary sensor connector. Start autonomous sampling in 16*plus* V2 (see 16*plus* V2 manual). Each time SBE 16*plus* V2 takes a measurement, it applies power to and requests a sample from SBE 63 using **TS** command.

When ready to stop sampling: Stop autonomous sampling in 16*plus* V2.

Example 3: Polled Sampling with SBE 41 (Argo float) CTD that is not making continuous oxygen measurements (user input in bold).

Set up to wait for a command upon power up (**SetAutoRun=0**). Set up to echo commands (**SetEcho=1**), output raw and converted oxygen and temperature data (**SetFormat=1**), to average 2 measurements/sample (**SetAvg=2**). Verify setup with status (**GetHD**) command. Remove power.

(Apply power, then select Connect in Seaterm232's Communications menu to connect and wake up.)

S>**SETAUTORUN=0**

S>**SETECHO=1**

S>**SETFORMAT=1**

S>**SETAVG=2**

S>**GETHD** (to verify setup)

(Remove power.)

When ready to begin sampling: Connect SBE 63 to SBE 41. Each time SBE 41 takes an oxygen measurement, it applies power to and requests a sample from SBE 63 using **TS** command.

Autonomous Sampling

The SBE 63 does not have an internal (standby) real-time clock. Therefore, once you start autonomous sampling, power to the SBE 63 must remain on for autonomous sampling to continue at the specified interval.

SetAutoRun defines how sampling starts:

Note:

Sea-Bird ships the SBE 63 with **SetAutoRun=0** (it will not automatically start sampling when power is applied). If you send **SetAutoRun=1**, turn power off and then on again to start sampling, or send **Start**.

SetAutoRun=	To Start Autonomous Sampling	To Stop Autonomous Sampling
0 (default)	Send Start .	<ul style="list-style-type: none"> • Turn off power, or • Click Esc (stopping this way allows you to then send commands to check/modify the setup), or • Send Stop (stopping this way allows you to then send commands to check/modify the setup).
1	Turn on power.	

Example 1: Autonomous Sampling Setup for SetAutoRun=0 (user input in bold).

Set up to wait for a command upon power up (**SetAutoRun=0**). Set up to echo commands (**SetEcho=1**), take and output a sample every 10 sec (**SetInterval=10**), averaging 2 measurements per output sample (**SetAvg=2**), and output converted oxygen and temperature data (**SetFormat=0**). Verify setup with status (**GetHD**) command. Remove power.

(Apply power, then select Connect in Seaterm232's Communications menu to connect and wake up.)

```
S>SETAUTORUN=0
S>SETECHO=1
S>SETINTERVAL=10
S>SETAVG=2
S>SETFORMAT=0
S>GETHD (to verify setup)
(Remove power.)
```

When ready to begin sampling:

(Apply power, then select Connect in Seaterm232's Communications menu to connect and wake up.)

```
S>START
```

When ready to stop sampling:

(Send **Stop**, click Esc, or remove power.)

Examples continued on next page

Example 2: Autonomous Sampling Setup for SetAutoRun=1 for use with power supply and logger.

Set up to start sampling when power is applied (**SetAutoRun=1**). Set up to echo commands (**SetEcho=1**), take samples at 10-sec intervals (**SetInterval=10**), average 2 measurements per output sample (**SetAvg=2**), output converted oxygen and temperature data (**SetFormat=0**), and set the delay before sampling to the minimum value (**SetBootDelay=**). Verify setup with status (**GetHD**) command. Remove power.

(Apply power, then select Connect in Seaterm232's Communications menu to connect and wake up.)

```
S>SETAUTORUN=1
```

```
S>SETECHO=1
```

```
S>SETINTERVAL=10
```

```
S>SETAVG=2
```

```
S>SETFORMAT=0
```

```
S>SETBOOTDELAY=1
```

```
S>GETHD (to verify setup)
```

(Remove power from SBE 63.)

When ready to begin sampling, connect SBE 63 to power supply and data logger.

(Apply power – SBE 63 automatically begins sampling at 10-sec intervals.)

When ready to stop sampling:
(remove power.)

Command Descriptions

This section describes commands and provides sample outputs.
See *Appendix III: Command Summary* for a summarized command list.

When entering commands:

- Input commands to the SBE 63 in upper or lower case letters and register commands by pressing the Enter key (0xD).
- Commands to enable a parameter can be entered with the *argument* as Y or 1 for yes, and N or 0 for no (for example, **SetAutoRun=y** and **SetAutoRun=1** are equivalent; both enable automatic starting of sampling when power is applied).
- The SBE 63 sends `Command failed: Unknown command` if an invalid command is entered.
- If the SBE 63 does not return an `S>` prompt after executing a command, press the Enter or Esc key to get the `S>` prompt.
- If the SBE 63 is transmitting data and you want to stop it, press the Esc key or send **Stop**. Alternatively, remove power.
- All commands that change setup take effect immediately, and are committed to nonvolatile storage (SBE 63 retains settings when power is removed).

Status Command

GetSD

Get and display status data, which includes all parameters related to setup that can be input/modified. Many parameters are not user-programmable (programmed at factory). List and example include commands used to modify user-programmable parameters:

- Instrument type and serial number
- Firmware version
- Firmware date
- Command set version
- Software used to upload firmware to SBE 63
- Calibration date (days since 1/1/2000)
- Communication baud rate [**SetBaud=**]
- Blue LED counter total on-time (sec)
- Number of measurements to average per sample [**SetAvg=**]
- Interval between samples for autonomous sampling [**SetInterval=**]
- Delay before sampling after power is applied [**SetBootDelay=**]
- Data output format [**SetFormat=**]
- Analog gain and offset
- Begin sampling automatically when power applied [**SetAutoRun=**]?
- Update Blue LED counter with every sample?
- Serial pause (factory set; must be 1 for use with SBE 19*plus* V2 in Profiling mode, 16*plus*-IM V2, or 37-IMP-ODO; can be 0 or 1 for other applications).
- Enable echoing [**SetEcho=**]?
- Power save mode, 0 or 1 (factory set; must be 1 for use with CTD on Navis float, 0 for all other applications)
- Internally calculated [based on settings]

Example: (user input in bold)

```
S>getsd
<StatusData DeviceType = 'SBE063' SerialNumber = '0013'>
  <FirmwareVersion>3.2.2</FirmwareVersion>
  <FirmwareDate>Mar  2 2015 15:03:49</FirmwareDate>
  <CommandSetVersion>1.4</CommandSetVersion>
  <LoaderVersion>SBE 63 FirmwareLoader V 1.0</LoaderVersion>
  <CalibrationDate>05535</CalibrationDate>
  <StatusConfig>
    <BaudRate>009600</BaudRate>                                [SetBaud=]
    <BlueOnTime>0000000</BlueOnTime>
    <SampleAvg>002</SampleAvg>                                  [SetAvg=]
    <SampleInterval>00004</SampleInterval>                    [SetInterval=]
    <BootDelay>001</BootDelay>                                  [SetBootDelay=]
    <OutFormat>01</OutFormat>                                  [SetFormat=]
    <AnalogGain>2</AnalogGain>
    <AnalogOffset>00</AnalogOffset>
    <AutoRun>0</AutoRun>                                        [SetAutoRun=]
    <BlueTupdate>0</BlueTupdate>
    <SerPause>1</SerPause>
    <Echo>1</Echo>                                             [SetEcho=]
    <TxPwrSave>0</TxPwrSave>
    <Flags>0x0023</Flags>                                     [internally calculated, based on SetAutoRun= and factory settings]
  </StatusConfig>
</StatusData>
```

Status Command *(continued)*

GetHD

Get and display hardware data. Many parameters are not user-programmable, and are programmed at the factory. List and example include commands used to modify user-programmable parameters:

- Instrument type and serial number
- Manufacturer
- Firmware version
- Firmware date
- Command set version
- Manufacture date (days since 1/1/2000)
- PCB assemblies and serial numbers
- Optical film serial number
- Power supply voltage seen by SBE 63
- Software used to upload firmware to SBE 63
- Calibration date (days since 1/1/2000)
- Communication baud [**SetBaud=**]
- Blue LED counter total on-time (sec)
- Number of measurements to average per sample [**SetAvg=**]
- Interval between samples for autonomous sampling [**SetInterval=**]
- Delay before sampling after power is applied [**SetBootDelay=**]
- Data output format [**SetFormat=**]
- Analog gain and offset
- Begin sampling automatically when power applied [**SetAutoRun=**]?
- Update Blue LED counter with each sample?
- Serial pause (factory set; must be 1 for use with SBE 19*plus* V2 in Profiling mode, 16*plus*-IM V2, or 37-IMP-ODO); can be 0 or 1 for other integrations.
- Enable echoing [**SetEcho=**]?
- Power save mode, 0 or 1 (factory set; must be 1 for use with CTD on Navis float, must be 0 for all other applications)
- Internally calculated [based on settings]

Status Command (continued)

Example: (user input in bold)

```

S>gethd
<HardwareData DeviceType = 'SBE063' SerialNumber = '0013'>
  <Manufacturer>Sea-Bird Electronics, Inc.</Manufacturer>
  <FirmwareVersion>3.2.2</FirmwareVersion>
  <FirmwareDate>Mar  2 2015 15:03:49</FirmwareDate>
  <CommandSetVersion>1.4</CommandSetVersion>
  <MFGDate>05523</MFGDate>
  <PCBAssembly>41755</PCBAssembly>
  <PCBSerialNum>56556</PCBSerialNum>
  <PCBAssembly>41756</PCBAssembly>
  <PCBSerialNum>57151</PCBSerialNum>
  <FilmSerialNum>00077</FilmSerialNum>
  <SupplyVoltage>8.63</SupplyVoltage>
  <LoaderVersion>SBE 63 FirmwareLoader V 1.0</LoaderVersion>
  <CalibrationDate>04150</CalibrationDate>
  <HardwareConfig>
    <BaudRate>009600</BaudRate>                                [SetBaud=]
    <BlueOnTime>0000000</BlueOnTime>
    <SampleAvg>002</SampleAvg>                                    [SetAvg=]
    <SampleInterval>00004</SampleInterval>                       [SetInterval=]
    <BootDelay>001</BootDelay>                                    [SetBootDelay=]
    <OutFormat>01</OutFormat>                                     [SetFormat=]
    <AnalogGain>2</AnalogGain>
    <AnalogOffset>00</AnalogOffset>
    <AutoRun>0</AutoRun>                                         [SetAutoRun=]
    <BlueTupdate>0</BlueTupdate>
    <SerPause>1</SerPause>
    <Echo>1</Echo>                                               [SetEcho=]
    <TxPwrSave>0</TxPwrSave>
    <Flags>0x0023</Flags>                                         [internally calculated, based on SetAutoRun= and factory settings]
  </HardwareConfig>
</HardwareData>

```

Status Command (continued)**GetCC**

Get and display calibration coefficients, which are initially factory-set and should agree with Calibration Certificate shipped with SBE 63. Example below includes, where applicable, command used to modify parameter.

- <CalDate> is number of days since January 1, 2000.
- **SetRefSal=** and **SetRefP=** are set by user; see description below in *Calibration Coefficients* section of these command descriptions

Example: (user input in bold)

```
S>getcc
<CalibrationCoefficients DeviceType = 'SBE063' SerialNumber = '0013'>
  <Calibration format = 'TEMP1' id = 'Temperature'>
    <SerialNum>06300013</SerialNum>
    <CalDate>04861</CalDate>
    <TA0>+5.593530e-04</TA0> [SetTA0=]
    <TA1>+2.756939e-04</TA1> [SetTA1=]
    <TA2>-1.453041e-06</TA2> [SetTA2=]
    <TA3>+1.535286e-07</TA3> [SetTA3=]
  </Calibration>
  <Calibration format = 'OX1' id = 'OptOxygen'>
    <SerialNum>06300013</SerialNum>
    <CalDate>05535</CalDate>
    <A0>+8.900000e-01</A0> [SetA0=]
    <A1>-1.520000e-03</A1> [SetA1=]
    <A2>+0.000000e+00</A2> [SetA2=]
    <B0>-1.820000e-01</B0> [SetB0=]
    <B1>+1.086300e+00</B1> [SetB1=]
    <C0>+1.737200e-01</C0> [SetC0=]
    <C1>+6.545500e-03</C1> [SetC1=]
    <C2>+8.945700e-05</C2> [SetC2=]
    <E>-2.600000e-03</E> [SetE=]
    <SOLB0>-6.245230e-03</SOLB0> [SetSolB0=]
    <SOLB1>-7.376141e-03</SOLB1> [SetSolB1=]
    <SOLB2>-1.034100e-02</SOLB2> [SetSolB2=]
    <SOLB3>-8.170830e-03</SOLB3> [SetSolB3=]
    <SOLC0>-4.886820e-07</SOLC0> [SetSolC0=]
    <REFSALpsu>+0.000000e+00</REFSALpsu> [SetRefSal=]
    <REFPRESSdbar>+0.000000e+00</REFPRESSdbar> [SetRefP=]
    <TAU20>+1.000000e+00</TAU20> [SetTau20=]
  </Calibration>
</CalibrationCoefficients>
```

Status Command *(continued)*

DS

Get and display status data (in non-XML format). Many parameters are not user-programmable, and are programmed at the factory. List and example include commands used to modify user-programmable parameters:

- Instrument type
- Instrument serial number
- PCB assemblies and serial numbers
- Optical film serial number
- Firmware version and date
- Software used to upload firmware to SBE 63
- Manufacturing date (days since 1/1/2000)
- Calibration date (days since 1/1/2000)
- Power supply voltage seen by SBE 63
- Communication baud rate [**SetBaud=**]
- Analog gain
- Analog offset
- Blue LED counter total on-time (sec)
- Number of measurements to average per sample [**SetAvg=**]
- Interval between samples for autonomous sampling [**SetInterval=**]
- Delay before sampling after power is applied [**SetBootDelay=**]
- Data output format [**SetFormat=**]
- Begin sampling automatically when power applied [**SetAutoRun=**]?
- Update Blue LED counter with every sample?
- Serial pause (factory set; must be 1 for use with SBE 19*plus* V2 in Profiling mode, 16*plus*-IM V2, or 37-IMP-ODO; can be 0 or 1 for other applications).
- Enable echoing [**SetEcho=**]?
- Power save mode, 0 or 1 (factory set; must be 1 for use with CTD on Navis float, 0 for all other applications)
- Internally calculated [based on settings]

Status Command *(continued)**Example: (user input in bold)*

```

S>>ds
Model                =   SBE63 rev J
Serial#              =   0442
PCBID Analog         =   41755 SN56556
PCBID Digital        =   41756 SN57151
Sensor Film Serial# =   00077
Firmware Rev         =   3.2.2 Mar  2 2015 15:03:49
Firmware Loader Ver =   SBE 63 FirmwareLoader V 1.0
MFG days +1/1/2000  =   5523
CAL days +1/1/2000  =   5535
Supply Voltage       =   8.29
Baudrate             =   9600                                [SetBaud=]
Analog Gain          =   02
Analog Offset        =   00
Blue On-time [sec]   =   00
Samples Averaged     =   02                                [SetAvg=]
Sample Intvl [sec]   =   0004                               [SetInterval=]
Boot Delay [sec]     =   001                                [SetBootDelay=]
Output format        =   01                                [SetFormat=]
Autorun [0/1]        =   0                                [SetAutoRun=]
BlueTUpdate [0/1]    =   0
SerPause [0/1]       =   1
Echo [0/1]           =   1                                [SetEcho=]
TxPwrsave [0/1]      =   0
Flags                =   0x23                                [internally calculated, based on SetAutoRun= and factory settings]

```

Status Command (continued)**DC**

Get and display calibration coefficients (in non-XML format), which are initially factory-set and should agree with Calibration Certificate shipped with SBE 63. Example below includes, where applicable, command used to modify parameter.

- <CalDate> is number of days since January 1, 2000.
- **SetRefSal=** and **SetRefP=** are set by user; see description below in *Calibration Coefficients* section of these command descriptions

Example: (user input in bold)

```

S>dc
Caldate =      4861
A0      =  +0.000000e+00      [SetA0=]
A1      =  +0.000000e+00      [SetA1=]
A2      =  +0.000000e+00      [SetA2=]
B0      =  +0.000000e+00      [SetB0=]
B1      =  +0.000000e+00      [SetB1=]
C0      =  +0.000000e+00      [SetC0=]
C1      =  +0.000000e+00      [SetC1=]
C2      =  +0.000000e+00      [SetC2=]
E       =  +0.000000e+00      [SetE=]
TA0     =  +0.000000e+00      [SetTA0=]
TA1     =  +0.000000e+00      [SetTA1=]
TA2     =  +0.000000e+00      [SetTA2=]
TA3     =  +0.000000e+00      [SetTA3=]
SOLB0   =  -6.245230e-03      [SetSolB0=]
SOLB1   =  -7.376141e-03      [SetSolB1=]
SOLB2   =  -1.034100e-02      [SetSolB2=]
SOLB3   =  -8.170830e-03      [SetSolB3=]
SOLC0   =  -4.886820e-07      [SetSolC0=]
RefSal  =  +0.000000e+00      [SetRefSal=]
RefP    =  +0.000000e+00      [SetRefP=]
TAU20   =  +1.000000e+00      [SetTau20=]

```

Status Command *(continued)*

The remaining status commands are used to get and display the settings for an individual parameter. List includes commands used to modify user-programmable parameters:

GetSN	Get serial number (factory set).
GetModel	Get model (factory set; SBE 63).
GetEcho	Enable echoing [SetEcho=]?
GetFormat	Data output format [SetFormat=].
GetBootDelay	Delay before sampling after power is applied [SetBootDelay=].
GetInterval	Interval between samples for autonomous sampling [SetInterval=].
GetAvg	Number of measurements to average per sample [SetAvg=].
GetAutoRun	Begin sampling automatically when power applied [SetAutoRun=]?
GetBlueTUp	Blue LED counter total on-time (sec) (factory-set).
GetCalDate	Calibration date (SetCalDate=).
GetA0	Calibration coefficient (SetA0=).
GetA1	Calibration coefficient (SetA1=).
GetA2	Calibration coefficient (SetA2=).
GetB0	Calibration coefficient (SetB0=).
GetB1	Calibration coefficient (SetB1=).
GetC0	Calibration coefficient (SetC0=).
GetC1	Calibration coefficient (SetC1=).
GetC2	Calibration coefficient (SetC2=).
GetE	Calibration coefficient (SetE=).
GetTA0	Calibration coefficient (SetTA0=).
GetTA1	Calibration coefficient (SetTA1=).
GetTA2	Calibration coefficient (SetTA2=).
GetTA3	Calibration coefficient (SetTA3=).
GetSolB0	Calibration coefficient (SetSolB0=).
GetSolB1	Calibration coefficient (SetSolB1=).
GetSolB2	Calibration coefficient (SetSolB2=).
GetSolB3	Calibration coefficient (SetSolB3=).
GetSolC0	Calibration coefficient (SetC0=).
GetRefSal	Calibration coefficient (SetRefSal=).
GetRefP	Calibration coefficient (SetRefP=).
GetTau20	Calibration coefficient (SetTau20=).

Setup Commands

Note:

When communicating directly with the SBE 63, the SBE 63's baud rate (set with **SetBaud=**) must be the same as Seaterm232's baud rate (set in the Communications menu).

Note:

When using the SBE 63 with an SBE 16*plus* V2, 16*plus*-IM V2, or 19*plus* V2 CTD, the following setup in the **SBE 63** is required:

- **SetBaud=** to the baud rate set in the CTD (1200 for the 16*plus*-IM V2)
- **SetEcho=1**
- **SetFormat=1**
- **SetAvg=1 to 16; recommended value is 2**
- **SetAutoRun=0**

In the CTD, set:

- Pump mode to 2 (**PumpMode=2**).
- Delay before sampling (**DelayBeforeSampling=**) to 25 sec at 15 °C to 40 sec at 0 °C (linear interpolation between those values). This provides enough time for the SBE 63 to equilibrate after pumping begins, before the measurement is made.

In the CTD, the interval between samples (**SampleInterval=**) must be greater than or equal to the sum of the times required to sample. Total time is affected by the following:

- Minimum time required for CTD to take a sample (≈ 2.5 sec).
- Time required for integration of optional Quartz pressure sensor (**ParosIntegration=**).
- Time required for CTD to take and average **NCycles=** samples; samples are taken 0.25 sec apart.
- Delay after providing power to external sensors before sampling (**DelayBeforeSampling=**); described above.
- Delay after sampling before turning off power to external sensors (**DelayAfterSampling=**).

For the 16*plus*-IM V2, commands are preceded by **#ii** (ii=ID).

SetBaud=x

x= baud rate (600, 1200, 2400, 4800, 9600, 19200, 33600, 38400, 57600, or 115200). **Default 9600**. Check capability of your computer and terminal program before increasing baud rate; high baud rates require a short cable and good PC serial port with accurate clock. SBE 63 requires you to enter command twice to confirm.

Example: (user input in bold).

```
S>setbaud=19200
Baud change requested.
Re-enter setbaud command at OLD baudrate to confirm
S>setbaud=19200
(may then show garbage characters, because of baud rate change)
(In Seaterm232's Communications menu, select Configure. Change baud to 19200 and click OK. In Seaterm232's Communications menu, select Disconnect and reconnect).
```

```
S> (now communicating at 19200 baud)
```

SetEcho=x

x=1: Echo characters received from computer; monitor shows entered commands as you type. Provides compatibility with Argo CTD, SeaCATs (16*plus* V2, 16*plus*-IM V2, 19*plus* V2), and SBE 37 MicroCATs (SMP-ODO, IMP-ODO). **Default.**

x=0: Do not.

SetFormat=x

Data output format (see *Data Formats* for details):

x=0: Converted oxygen and temperature (with units).

x=1: Raw phase delay and thermistor voltage, converted oxygen and temperature (no units), for compatibility with Argo CTD, SeaCATs (16*plus* V2, 16*plus*-IM V2, 19*plus* V2), and SBE 37 MicroCATs (SMP-ODO, IMP-ODO). **Default.**

x=2: Raw and converted data.

x=3: Instrument name, serial number, and converted oxygen.

SetBootDelay=x

x= delay after power is applied before sampling (1 - 255 sec). **Default 1**. Only applicable if **AutoRun=1**.

SetInterval=x

x= interval between samples (1 – 32,767 sec) for autonomous sampling (if power remains on, and **Start** has been sent or **AutoRun=1**). **Default 4**.

Setup Commands *(continued)*

Note:

If more time is required than provided by **SetInterval** (can only occur if **SetInterval** is small and **SetAvg** is large), the sample is delayed until all the measurements defined by **SetAvg** are completed.

SetAvg=x

x = number of measurements to take and average per sample (1–64, or 1–32 for 1Hz sampling); **default 2**. Each additional measurement adds approximately 0.0167 sec. Increasing **SetAvg=** shortens sensor film life and increases photo-bleaching effects. **Sea-Bird recommends SetAvg=2 for best results**, to prevent calibration shifts caused by film heating and photo bleaching-effects.

Note:

To start autonomous sampling after you send **SetAutoRun=1**:

- turn power off and then on again, or
- send **Start** or **Go**

SetAutoRun=x

x=0: Wait for command when power applied. **Default**. Required setting for use with Argo CTD, SeaCATs (16*plus* V2, 16*plus*-IM V2, 19*plus* V2), and SBE 37 MicroCATs (SMP-ODO, IMP-ODO).

x=1: Begin sampling when power applied. First sample taken after **SetBootDelay=**.

***Default**

Reset most Setup parameters to their factory defaults (**SetEcho=1**, **SetFormat=1**, **SetBootDelay=1**, **SetInterval=4**, **SetAvg=2**, **SetAutoRun=0**). Baud (**SetBaud=**) is **not** reset. Also resets factory-set parameters SerPause (0), BlueTUpdate (0), TxPwrSave (0), Gain (2), and Offset (0).

Sampling Commands

Start or Go

Start autonomous sampling immediately at rate set by **SetInterval=**, and output data in format defined by **SetFormat=**.

Applicable if:

- **SetAutoRun=0**, or
- **SetAutoRun=1**, and you previously clicked Esc to stop sampling.

To stop sampling:

- Click Esc or send **Stop** command. Once sampling is stopped and terminal program shows S> prompt, you can send desired commands (setup, status, etc.). **OR**
- Remove power.

Note:

You may need to click Esc or send **Stop** several times to get the SBE 63 to respond.

Stop

Stop autonomous sampling. Command will not be echoed while autonomous sampling. S> prompt appears to signal that autonomous sampling has stopped.

TS

Take **1** sample and transmit data in format defined by **SetFormat=**.

TSR

Take **1** sample and transmit data in raw format (for factory diagnostics).

Calibration Coefficients Commands

With the exception of **SetRefSal=** and **SetRefP=**, calibration coefficients are initially factory-set and should agree with Calibration Certificate shipped with the SBE 63.

Note:

S = integer
F = floating point number

SetCalDate=S	S= calibration date (days since January 1, 2000).
SetTA0=F	F= TA0 coefficient.
SetTA1=F	F= TA1 coefficient.
SetTA2=F	F= TA2 coefficient.
SetTA3=F	F= TA3 coefficient.
SetA0=F	F= A0 coefficient.
SetA1=F	F= A1 coefficient.
SetA2=F	F= A2 coefficient.
SetB0=F	F= B0 coefficient.
SetB1=F	F= B1 coefficient.
SetC0=F	F= C0 coefficient.
SetC1=F	F= C1 coefficient.
SetC2=F	F= C2 coefficient.
SetE=F	F= E coefficient.
SetSolB0=F	F= SolB0 coefficient.
SetSolB1=F	F= SolB1 coefficient.
SetSolB2=F	F= SolB2 coefficient.
SetSolB3=F	F= SolB3 coefficient.
SetSolC0=F	F= SolC0 coefficient.
SetTau20=F	F= sensor response time (0 – 600.0 sec; default 5.5). Used by 37-SMP-ODO and 37-IMP-ODO MicroCATs in pumping time calculation for Adaptive Pump Control.
SetRefSal=F	F= Reference salinity (0 – 1000.0 psu) to use for oxygen calculation in converted units. Default 0. For moored application, enter approximate value expected for deployment. For profiling applications, enter 0, and correct oxygen for salinity effect in post-processing.
SetRefP=F	F= Reference pressure (0 – 10,000.0 dbar) to use for oxygen calculation in converted units. Default 0. For moored application, enter value expected for deployment. For profiling applications, enter 0, and correct oxygen for pressure effect in post-processing.

Notes:

- Tau20 does not appear on the Calibration Certificate. It is factory-set to 5.5.
- If the MicroCAT has **OxTau20=** programmed in its firmware, the MicroCAT uses that value instead of the **SetTau20=** value programmed into the SBE 63. Future versions of the MicroCAT (under development) will not have the **OxTau20=** command.

Data Formats

Note about units for converted oxygen:

Sea-Bird uses the following equations to convert oxygen to various engineering units:

$$[\text{mg/L}] = [\text{ml/L}] * 1.42903$$

$$[\text{micromole/Kg}] = [\text{ml/L}] * 44660 / (\sigma_{\theta}(P,T,S) + 1000)$$

For the micromole/Kg conversion, there is disagreement in the scientific community about the conversion constant 44660:

- The value 44660 is exact for oxygen gas.
- The value 44615 is the average value for atmospheric gas (N₂, O₂, Ar, H₂O, CO₂,...). It is not exact for any individual gas, but has been used historically by oceanographers.

The argument distills to exact versus historic, with oceanographers split; Sea-Bird uses 44660 in all software calculations.

Notes:

- Each scan of data ends with a carriage return and line feed.
- Converted oxygen values (dissolved oxygen in ml/l) are dependent on the user-set **SetRefSal=** and **SetRefP=**.
- See *Appendix I: Functional Description* for details on the calibration equation and conversion of the raw data to dissolved oxygen in ml/l.

Following are the data formats:

- **SetFormat=0** – Converted oxygen and temperature with units:
o.oooo ml/l, tt.tttt C
where
o.oooo = dissolved oxygen in ml/l
tt.tttt = temperature in deg C (ITS-90)

Example: SetFormat=0

4.3019 ml/l, 25.2556 C
(converted oxygen, converted temperature)

- **SetFormat=1** (default) – *Required format for compatibility with Argo CTD, SeaCAT (16plus V2, 16plus-IM V2, 19plus V2), and SBE 37 MicroCAT (SMP-ODO, IMP-ODO):*

aa.aaa, b.bbbbbb, o.oooo, tt.tttt *where*

aa.aaaa = raw phase delay (μsec)

b.bbbb = raw thermistor voltage

o.ooo = dissolved oxygen in ml/l

tt.tttt = temperature in deg C (ITS-90)

Example: SetFormat=1

16.6423, 0.641321, 4.308, 25.2553

(raw phase delay, raw thermistor voltage, converted oxygen, converted temperature)

Notes on integration with Sea-Bird CTDs:

SetFormat=1 defines the format of the data that the **SBE 63** sends to the CTD. However, the CTD does not use the converted data (dissolved oxygen in ml/l and temperature in deg C) from the SBE 63 -

- SeaCATs output the raw phase delay and raw thermistor voltage. These can be converted to the desired units (such as ml/L or mg/L) in Seasave (real-time data) or SBE Data Processing (post-processing); the software uses the oxygen data from the raw phase delay and raw thermistor voltage from the SBE 63 along with the pressure and salinity data from the CTD.
- MicroCATs use the raw phase delay and raw thermistor voltage, along with pressure and salinity data from the CTD, to compute and output oxygen in ml/L or mg/L.

- **SetFormat=2** – Raw and converted data:
01/01/11 00:00:00 660 aaaaa 695 bbbbb 570 oooo tttt
where
aaaaa = raw phase delay (x1000)
bbbbbb = raw thermistor voltage (x65536/3.30)
oooo = dissolved oxygen in ml/l (x1000)
tttt = temperature in deg C (x1000) (ITS-90)
Italic numbers are constants, not used in calculations
Each field is separated by a tab character.

Example: SetFormat=2

```

01/01/11      00:00:00      660              16649
695           12736         570              4303
25255

```

(information in italics are constants not used in calculations; remaining information is raw phase delay x1000, raw thermistor voltage x1000, converted oxygen x1000, converted temperature x1000)

- **SetFormat=3** – Instrument name, serial number, and converted oxygen:
SBE63 ssss oo.ooo
where
ssss = SBE 63 serial number
oo.ooo = dissolved oxygen in ml/l (leading zero is not suppressed)
SBE63 and serial number are separated by a tab character; serial number and dissolved oxygen are separated by two tab characters.

Example: SetFormat=3

```

SBE63      0013              04.304

```

(serial number, converted oxygen in ml/l)

Deployment

Note:

In the CTD, set:

- Pump mode to 2 (**PumpMode=2**).
- Delay before sampling (**DelayBeforeSampling=**) to 25 sec at 15 °C, 40 sec at 0 °C (linear interpolation between those values). This provides enough time for the SBE 63 to equilibrate after pumping begins, before the measurement.

In the CTD, the interval between samples (**SampleInterval=**) must be \geq sum of times required to sample.

Total time is affected by:

- Minimum time for CTD to take sample (\approx 2.5 sec).
- Time for integration of optional Quartz pressure sensor (**ParosIntegration=**).
- Time for CTD to take and average **NCycles=** samples, taken 0.25 sec apart.
- Delay after providing power to external sensors before sampling (**DelayBeforeSampling=**); described above.
- Delay after sampling before turning off power to external sensors (**DelayAfterSampling=**).

For the 16plus-IM V2, commands are preceded by #ii (ii=ID).

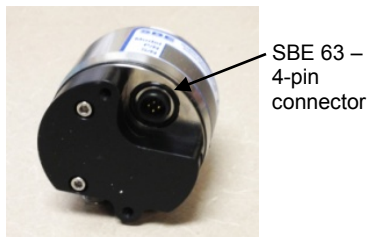
Integration with SeaCAT CTD (SBE 16plus V2, 16plus-IM V2, or 19plus V2)

Prior to installing the SBE 63 on the CTD, verify that the SBE 63 is set up as follows (see *Section 3: Preparing SBE 63 for Deployment* for details on communicating in Seaterm232; see *Command Descriptions* above for command details):

- **SetBaud=** to baud rate set in CTD (always 1200 for 16plus-IM V2)
- **SetEcho=1**
- **SetAvg=1 to 16; recommended value is 2**
- **SetFormat=1**
- **SetAutoRun=0**

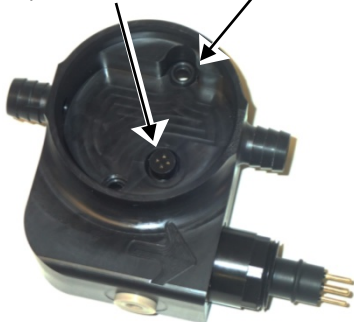
For use with the SBE 19plus V2 in Profiling mode, verify that <SerPause> in the **GetSD** or **GetHD** response is 1 (factory set). For the 19plus V2 in Moored mode, or for the other SeaCATs, <SerPause> can be set to 0 or 1.

Verify that <TxPwrSave> in the **GetSD** or **GetHD** response is 0 (factory set).

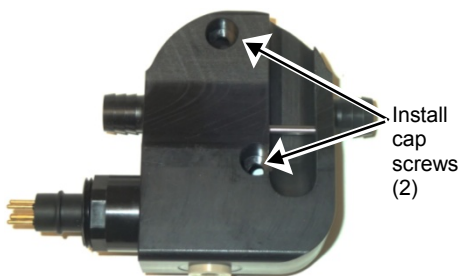


Sensor mount –
4-pin connector

Install O-ring
(2 places)

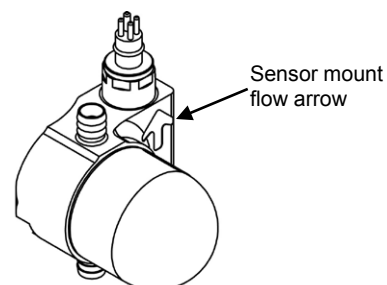


Install
cap
screws
(2)



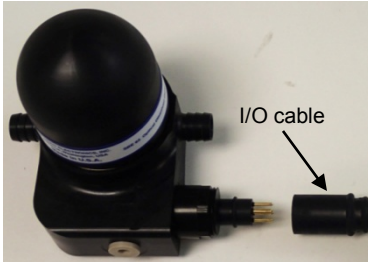
Install on the CTD as follows:

1. Install the SBE 63 in the sensor mount:
 - A. Place the two small O-rings on the sensor mount screw holes.
 - B. Align the 4-pin connectors and push the SBE 63 onto the mount.
 - C. Install the two #10-24, 1/2" titanium cap screws from the back of the sensor mount to secure the SBE 63 in the mount.
2. Mount the SBE 63 on the CTD. Install Tygon tubing to connect the SBE 63 inline between the CTD conductivity cell outlet and the pump inlet. Verify that the large arrow on the sensor mount is pointing in the direction of the flow (flow enters from the conductivity cell, and exits to the pump).



CAUTIONS:

- **Do not use WD-40** or other petroleum-based lubricants, as they will damage the connectors.
- For wet-pluggable MCBH connectors: **Silicone lubricants in a spray can** may contain ketones, esters, ethers, alcohols, or glycols in their propellant. **Do not use these sprays, as they will damage the connector.**

**Note:**

Precede **Send63=** with **#ii** (ii= MicroCAT ID) for IM or RS-485 versions of the MicroCAT (for example, **#01Send63=GetSD**).

3. Install the I/O cable on the SBE 63 sensor mount:
 - A. Lightly lubricate the inside of the cable connector with silicone grease (DC-4 or equivalent).
 - B. **XSG Connector** - Install the cable connector, aligning the raised bump on the side of the connector with the large pin (pin 1 - ground) on the SBE 63 sensor mount. Remove any trapped air by *burping* or gently squeezing the connector near the top and moving your fingers toward the end cap. **OR**
MCBH Connector – Install the cable connector, aligning the pins.
 - C. Place the locking sleeve over the connector. Tighten the locking sleeve finger tight only. **Do not overtighten the locking sleeve and do not use a wrench or pliers.**
4. Connect the I/O cable to the 4-pin RS-232 auxiliary sensor connector on the CTD, using the same technique as in Step 3 (see the CTD manual for the end cap detail).

5. Verify that the hardware and external fittings are secure.

The SBE 63 is ready to go into the water.

Integration with MicroCAT CTD (SBE 37-SMP-ODO, 37-IMP-ODO)

The SBE 63 is factory-integrated with the ODO MicroCAT.

You can communicate with the SBE 63 **through** the MicroCAT with **Send63=command**; **command** can be any command recognized by the SBE 63. Verify that the SBE 63 is set up as follows by sending **Send63=GetSD** (see *Command Descriptions* above for command details):

- **SetBaud=2400** (factory set; cannot be changed by command through the MicroCAT)
- **SetEcho=1**
- **SetAvg=1 to 16; recommended value is 2**
- **SetFormat=1**
- **SetAutoRun=0**

For use with Inductive Modem (IM) or RS-485 versions of the MicroCAT, verify that **<SerPause>** in the **GetSD** or **GetHD** response is 1 (factory set). For other MicroCATs, **<SerPause>** can be set to 0 or 1.

Verify that **<TxPwrSave>** in the **GetSD** or **GetHD** response is 0 (factory set).

Recovery

WARNING!

If the SBE 63 stops working while underwater, is unresponsive to commands, or shows other signs of flooding or damage, carefully secure it away from people until you have determined that abnormal internal pressure does not exist or has been relieved. Pressure housings may flood under pressure due to dirty or damaged o-rings, or other failed seals. When a sealed pressure housing floods at great depths and is subsequently raised to the surface, water may be trapped at the pressure at which it entered the housing, presenting a danger if the housing is opened before relieving the internal pressure. Instances of such flooding are rare. However, a housing that floods at 6300 meters depth holds an internal pressure of more than 7000 psia, and has the potential to eject the end cap with lethal force. A housing that floods at 63 meters holds an internal pressure of more than 85 psia; this force could still cause injury.

If you suspect the SBE 63 is flooded, point it in a safe direction away from people. Remove the SBE 63 from the sensor mount (if applicable). Very slowly unscrew the SBE 63 *dome*, letting the internal pressure bleed off slowly past the O-ring as the O-ring is released from the housing. Then, you can safely remove the dome.

Rinse the outside of the SBE 63 with fresh water.

Section 5: Routine Maintenance and Calibration

This section reviews corrosion precautions, connector mating and maintenance, sensor maintenance, and sensor calibration. The accuracy of the SBE 63 is sustained by establishing proper handling practices.

Corrosion Precautions

Rinse the SBE 63 with fresh water after use and prior to storage.

All exposed metal is titanium; other materials are plastic. No corrosion precautions are required, but direct electrical connection of titanium to dissimilar metal hardware should be avoided.

Connector Mating and Maintenance

Note:

See *Application Note 57: Connector Care and Cable Installation* for the connection to the sensor mount.

Optional Sensor Mount:

Clean and inspect the connectors, cable, and dummy plug before every deployment and as part of your yearly equipment maintenance. Inspect connectors that are unmated for signs of corrosion product around the pins, and for cuts, nicks or other flaws that may compromise the seal.

When remating:

1. Lightly lubricate the inside of the cable connector with silicone grease (DC-4 or equivalent).
2. **XSG Connector** - Install the cable connector, aligning the raised bump on the side of the cable connector with the large pin (pin 1 - ground) on the SBE 63. Remove any trapped air by *burping* or gently squeezing the connector near the top and moving your fingers toward the end cap. **OR**
MCBH Connector – Install the cable connector, aligning the pins.
3. Place the locking sleeve over the cable connector. Tighten the locking sleeve finger tight only. **Do not overtighten the locking sleeve and do not use a wrench or pliers.**

Verify that a cable is installed before deployment.

CAUTIONS:

- **Do not use WD-40** or other petroleum-based lubricants, as they will damage the connectors.
- For wet-pluggable MCBH connectors: **Silicone lubricants in a spray can** may contain ketones, esters, ethers, alcohols, or glycols in their propellant. **Do not use these sprays, as they will damage the connector.**

Sensor Maintenance

CAUTIONS:

- During service and storage, maintain temperatures between 0 - 40 °C (32 – 104 °F).
- Do not use stronger solutions or longer wash times than recommended.
- Do not place Triton or bleach directly on the optical window.

Procedures

Avoid fouling the optical window with oil or grease as this causes a calibration shift. An oil-fouled window can be cleaned using the following procedures.

- **Preventive Field Maintenance Between Profiles:** After each cast, flush with a **0.1%** solution of **Triton X-100**, using a 60 cc syringe (see Application Note 34). Then rinse thoroughly with fresh water. Between casts, ensure that the sensor remains shaded from direct sunlight and stays within the recommended temperature range.
- **Routine (post-cruise) Cleaning (no visible deposits or marine growths on sensor)** -- Follow this two-step procedure:
 1. **Flush** the sensor for **1** minute with a **1%** solution of **Triton X-100** warmed to 30 °C (86 °F). **Drain and flush** with warm (not hot) fresh water for **5** minutes.
 2. **Soak** the sensor for **1** minute in a **500 - 1000 ppm** solution of **Bleach**. After the soak, **drain and flush** with warm (not hot) fresh water for **5** minutes.
- **Cleaning severely fouled sensors (visible deposits or marine growths on sensor):** Soak the sensor in de-ionized water overnight to loosen deposits. Repeat the *Routine Cleaning* procedure up to 5 times. **Do not** attempt to clean the optical window with high pressure flow or by wiping or touching the window.
- **Long-Term Storage (after field use): Do not fill the sensor with water, Triton solution, or Bleach solution. Store dry.**
 - **If there is danger of freezing**, shake all excess water out of the sensor. If in the optional sensor mount, loop tubing from inlet to outlet, leaving the optical window dry.

Materials

- **Triton X-100 - 100%** Triton X-100 is included with every CTD shipment and may be ordered from Sea-Bird; dilute as directed above. Triton X-100 is Octyl Phenol Ethoxylate, a mild, non-ionic surfactant (detergent), and is manufactured by Avantor Performance Materials (see <http://avantormaterials.com/commerce/product.aspx?id=2147509608>). Other liquid detergents can probably be used, but scientific grades (with no colors, perfumes, glycerins, lotions, etc.) are required.
- **Bleach** - Bleach is a common household product used to whiten and disinfect laundry. Commercially available bleach is typically 4% - 7% (40,000 – 70,000 ppm) **sodium hypochlorite** (Na-O-Cl) solution that includes stabilizers. Some common commercial product names are Clorox (U.S.) and eau de Javel (French). Clean the SBE 63 with a 500 - 1000 ppm solution of water and sodium hypochlorite. **Dilute** the concentrated household bleach to 50 to 1 (50 parts water to 1 part bleach) to produce the proper concentration to clean the oxygen sensor.
- **Water** – We recommend de-ionized (DI) water because it is reliably pure, but commercially distilled water or fresh clean tap water is also sufficient for all uses above. **On ships, fresh water can occasionally contain traces of oil and should not be used for rinsing, cleaning, or storing sensors, unless there is no alternative.**

Sensor Calibration

Note:

See *Appendix I: Functional Description* for details on the calibration equation.

Each SBE 63 is calibrated individually in a temperature-controlled bath. Bath temperatures are varied at each of 4 oxygen values, providing a comprehensive 24-point calibration. Two reference sensors in each bath are standardized against Winkler titrations. Response time tests are conducted on each sensor, using gas. Salinity and pressure impacts on sensor response are each checked at two separate points

The SBE 63 calibration coefficients are printed on the Calibration Certificate supplied with the sensor. These coefficients have also been stored in the SBE 63, allowing the SBE 63 to directly output dissolved oxygen in ml/l. When used on a Sea-Bird CTD (SBE 16*plus* V2, 16*plus*-IM V2, 19*plus* V2, 37-SMP-ODO, 37-IMP-ODO), dissolved oxygen can be calculated in other units in post-processing.

The primary mechanism for calibration drift in optical oxygen sensors is the fouling of the optical window by chemical or biological deposits. Accordingly, the most important determinant of long-term sensor accuracy is the cleanliness of the window. We recommend that oxygen sensors be calibrated before and after deployment, but particularly when the sensor has been exposed to contamination by oil slicks or biological material.

Another important mechanism for oxygen sensor drift is photobleaching of the sensor film. Keep the SBE 63 sensor film out of direct sunlight. Also, every sample that is taken illuminates the film with short wavelength light that eventually degrades the film. As a rule of thumb, re-calibration of the oxygen sensor is recommended after 300,000 to 500,000 samples.

Section 6: Troubleshooting

This section reviews common problems in operating the SBE 63, and provides the most likely causes and solutions.

Problem 1: Unable to Communicate with SBE 63

Notes:

- You can use any terminal program to set up the SBE 63; set it to 8 data bits, no parity, 1 stop bit, and 9600 baud (default SBE 63 baud rate). Instructions here are for using SeatermV2.
- See SeatermV2's Help files.

The `S>` prompt indicates that communications between the SBE 63 and computer have been established. Before proceeding with troubleshooting, attempt to establish communications again by clicking *Connect* in the Communications menu in Seaterm232.

Cause/Solution 1: The I/O cable connection may be loose. Check the cabling between the SBE 63 and computer for a loose connection.

Cause/Solution 2: The instrument type and/or its communication settings may not have been entered correctly in the terminal program. Verify the settings in the Serial Port Configuration dialog box (Communications menu -> *Configure*). The settings should match those on the instrument Configuration Sheet.

Cause/Solution 3: The I/O cable may not be the correct one.

- The I/O cable supplied with the SBE 63's optional sensor mount permits connection to standard 9-pin RS-232 interfaces. See *Dimensions and Connector* in *Section 2: Description of SBE 63* for the cable pinouts.

Problem 2: Unreasonable Data

The symptom of this problem is data that contains unreasonable values (for example, values that are outside the expected range of the data).

Cause/Solution 1: Data with unreasonable values may be caused by incorrect calibration coefficients in the SBE 63 (if looking at data output in converted format). Verify the calibration coefficients in the SBE 63, using **GetCC**.

Cause/Solution 2 (MicroCATs only): A data file with unreasonable values for dissolved oxygen may be caused by incorrect calibration coefficients in the MicroCAT (SBE 37-SMP-ODO, 37-IMP-ODO). Send **GetCC** to verify the oxygen calibration coefficients in the MicroCAT match the SBE 63 Calibration Certificates. Note that calibration coefficients do not affect the raw data stored in MicroCAT memory.

- If you have not yet overwritten the memory with new data, you can correct the coefficients and then upload the data again.
- If you have overwritten the memory with new data, you can manually correct the coefficients in the .xmlcon configuration file (which is generated when you upload the data from memory), and then reprocess the data in SBE Data Processing's Data Conversion module.

Cause/Solution 3 (SeaCATs only): A data file with nonsense values may be caused by incorrect instrument configuration of the SeaCAT (SBE 16*plus* V2, 16*plus*-IM V2, or 19*plus* V2):

- Bad data may be caused by incorrect setup in the CTD. Send **DS** to the CTD to verify the CTD setup (SBE 63 is enabled for the RS-232 auxiliary sensor channel).
- Bad data may be caused by incorrect configuration in the instrument .xmlcon configuration file, and/or incorrect calibration coefficients in the instrument configuration file. Verify the settings in the configuration file.

Note:

Each SeaCAT CTD is shipped with a configuration file that matches the configuration of the instrument (number and type of auxiliary sensors, etc.) and includes the instrument calibration coefficients.

Glossary

MicroCAT – High-accuracy conductivity, temperature, and pressure recorder. The ODO version of the MicroCAT is integrated at the factory with an SBE 63. ODO MicroCATs are available in two versions:

- 37-SMP-ODO with internal memory and power, and serial interface (RS-232, RS-485, or RS-232 and SDI-12).
- 37-IMP-ODO with internal memory and power, and inductive modem interface.

PCB – Printed Circuit Board.

SBE 63 – High-accuracy Optical Dissolved Oxygen Sensor.

SBE Data Processing – Sea-Bird’s Windows data processing software, which calculates and plots temperature, conductivity, pressure, data from auxiliary sensors, and derived variables such as salinity and sound velocity.

Scan – One data sample.

SeaCAT – High-accuracy conductivity, temperature, and pressure recorder that can provide power for and obtain data from a number of auxiliary sensors. Firmware versions of the V2 SeaCAT developed in February 2012 and later are compatible with the SBE 63. The V2 SeaCAT is available in three versions:

- 16plus V2 with RS-232 interface
- 16plus-IM V2 with inductive modem interface
- 19plus V2 with RS-232 interface

Note:

All Sea-Bird software listed was designed to work with a computer running Windows XP service pack 2 or later, Windows Vista, or Windows 7 (32-bit or 64-bit).

Seasave V7 – Sea-Bird’s Windows software used to acquire, convert, and display real-time or archived raw data.

Seasoft V2– Sea-Bird’s complete Windows software package, which includes software for communication, real-time data acquisition, and data analysis and display. Seasoft V2 includes **SeatermV2**, **Seasave V7**, and **SBE Data Processing**.

SeatermV2 – Windows terminal program *launcher*. Depending on the instrument selected, it launches Seaterm232 (RS-232 instruments), Seaterm485 (RS-485 instruments), SeatermIM (inductive modem instruments), or SeatermUSB (USB instruments).

Seaterm232 – Windows terminal program used with Sea-Bird instruments that communicate via an RS-232 interface, and that were developed or redesigned in 2006 and later. The common feature of these instruments is the ability to output data in XML.

Triton X-100 – Reagent grade non-ionic surfactant (detergent), used for cleaning the conductivity cell. Triton can be ordered from Sea-Bird, but should also be available locally from chemical supply or laboratory products companies. Triton is manufactured by Avantor Performance Materials (www.avantormaterials.com/commerce/product.aspx?id=2147509608).

Appendix I: Functional Description

Note:

Sea-Bird software performs these calculations automatically. This information is included for users who are developing their own software.

The SBE 63's luminescence decay time decreases non-linearly with increasing oxygen concentration. Because the phase delay between excited and emitted signals is shifted as a function of the ambient oxygen concentration, the phase delay is detected instead of the decay time. The signal is characterized by a modified Stern-Volmer equation as follows:

$$O_2 \text{ (ml/L)} = [(a_0 + a_1T + a_2V^2) / (b_0 + b_1V) - 1] / K_{sv} [S_{Corr}] [P_{Corr}]$$

where

- O_2 is oxygen concentration (ml/L)
- T is temperature output from SBE 63's thermistor in °C
- V is raw measured phase delay in volts = $\phi_r / 39.457071$ (see Note)
- ϕ_r is raw measured phase delay in μsec (output when **SetFormat=1**)
- a_0, a_1, a_2, b_0, b_1 are calibration coefficients (Uchida et al, 2008)
- K_{sv} is Stern-Volmer constant (with calibration coefficients c_0, c_1, c_2) (Demas et al, 1999)
- S_{Corr} is salinity correction function (with calibration coefficients $Sol_{B0}, Sol_{B1}, Sol_{B2}, Sol_{B3}, Sol_{C0}$)
- P_{Corr} is pressure correction function (with calibration coefficient E)

Note:

Calibration sheets generated after July 2012 include information on the conversion between phase delay in μsec and volts. Although this information was not shown on earlier calibration sheets, the same conversion is applicable:

- Divide the phase delay output (μsec) by 39.457071 to get output in volts, and use the output in volts in the calibration equation.

The Stern-Volmer constant equation is:

$$K_{sv} = c_0 + c_1T + c_2T^2$$

where

- c_0, c_1, c_2 are calibration coefficients
- T is temperature output from SBE 63's thermistor in °C

The salinity correction equation is:

$$S_{Corr} = \exp [S * (Sol_{B0} + Sol_{B1} * T_s + Sol_{B2} * T_s^2 + Sol_{B3} * T_s^3) + Sol_{C0} * S^2]$$

where

- Salinity correction coefficients are constants (Benson and Krause, 1984) -
 $Sol_{B0} = -6.24523e^{-3}$
 $Sol_{B1} = -7.37614e^{-3}$
 $Sol_{B2} = -1.03410e^{-2}$
 $Sol_{B3} = -8.17083e^{-3}$
 $Sol_{C0} = -4.88682e^{-7}$
- $T_s = \ln [(298.15 - T) / (273.15 + T)]$
 where T is temperature output from SBE 63's thermistor in °C
- S = salinity
 - For oxygen in ml/l output directly from SBE 63, **SetRefSal=** is used as the salinity value in the salinity correction equation.
 - When the SBE 63 is integrated with a CTD (SeaCAT, MicroCAT, or Argo CTD), **salinity calculated from the CTD data** should be used to calculate converted oxygen (ml/L, mg/L, etc.).
 - SeaCAT CTDs output raw phase delay and temperature from an integrated SBE 63. Sea-Bird software automatically uses the salinity from the CTD data if calculating converted oxygen output in Seasave real-time data acquisition software or SBE Data Processing post-processing software.
 - MicroCAT CTDs can output raw phase delay and temperature **or** converted oxygen in ml/L from an integrated SBE 63, depending on the user-selected output format in the MicroCAT. For converted oxygen in ml/L, the MicroCAT firmware automatically uses the salinity from the CTD data. Sea-Bird software automatically uses the salinity from the CTD data if calculating converted oxygen output in SBE Data Processing post-processing software.

The pressure correction equation is:

$$P_{\text{corr}} = \exp(E * P / K)$$

where

- Pressure correction coefficient is constant -
E = 0.011
- K = temperature in Kelvin = T + 273.15
where T is temperature output from SBE 63's thermistor in °C
- P = pressure (dbar) from CTD data
 - For oxygen in ml/l output directly from the SBE 63, **SetRefP**= is used as the pressure value in the pressure correction equation.
 - When the SBE 63 is integrated with a CTD (SeaCAT, MicroCAT, or Argo CTD), **pressure calculated from the CTD data** should be used to calculate converted oxygen (ml/L, mg/L, etc.).
 - SeaCAT CTDs output raw phase delay and temperature from an integrated SBE 63. Sea-Bird software automatically uses the pressure from the CTD data if calculating converted oxygen output in Seasave real-time data acquisition software or SBE Data Processing post-processing software.
 - MicroCAT CTDs can output raw phase delay and temperature **or** converted oxygen in ml/L from an integrated SBE 63, depending on the user-selected output format in the MicroCAT. For converted oxygen in ml/L, the MicroCAT firmware automatically uses the pressure from the CTD data. Sea-Bird software automatically uses the pressure from the CTD data if calculating converted oxygen output in SBE Data Processing post-processing software.

The maximum theoretical output range for phase (ϕ_t) is -130.208 to +130.208 μsec . In actual calibrated instruments, the phase will be not be outside the range 0.000 to 65.535 μsec . Resolution is 1 nanosecond (0.001 μsec).

Sea-Bird provides two calibration sheets with each SBE 63 –

- One relates the SBE 63 oxygen sensor output to oxygen concentration in ml/L – with coefficients a_0 , a_1 , a_2 , b_0 , b_1 , c_0 , c_1 , c_2 , and E.
- One relates the SBE 63 thermistor output to temperature (°C) – with coefficients t_{a0} , t_{a1} , t_{a2} , t_{a3}

Examples of both calibration sheets are shown on the next two pages.

Example Calibration Sheet – SBE 63 Oxygen Output (Phase Delay μ sec)

Sea-Bird Electronics, Inc.

13431 NE 20th Street, Bellevue, WA 98005-2010 USA
 Phone: (+1) 425-643-9866 Fax (+1) 425-643-9954 Email: seabird@seabird.com

SENSOR SERIAL NUMBER: 0742
 CALIBRATION DATE: 14-Sep-12

SBE 63 OXYGEN CALIBRATION DATA

COEFFICIENTS

A0 = 1.0513e+000 B0 = -2.4323e-001 C0 = 1.0912e-001 E = 1.1000e-002
 A1 = -1.5000e-003 B1 = 1.6036e+000 C1 = 4.6500e-003
 A2 = 3.7483e-001 C2 = 6.2813e-005

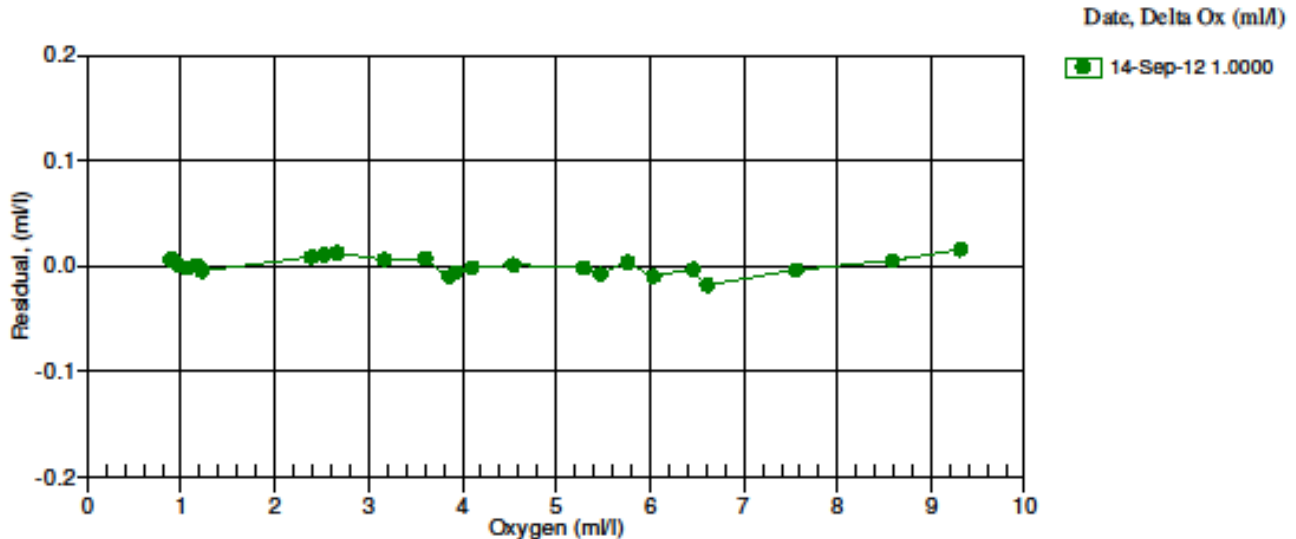
BATH OX (ml/l)	BATH TEMP ITS-90	BATH SAL PSU	INSTRUMENT OUTPUT(U)	INSTRUMENT OXYGEN(ml/l)	RESIDUAL (ml/l)
0.888	30.00	0.00	29.48	0.895	0.007
0.921	26.00	0.00	30.19	0.925	0.004
0.970	20.00	0.00	31.34	0.971	0.001
1.063	12.00	0.00	32.84	1.061	-0.002
1.169	6.00	0.00	33.89	1.170	0.000
1.223	2.00	0.00	34.78	1.219	-0.005
2.387	30.00	0.00	21.94	2.395	0.008
2.528	26.00	0.00	22.48	2.539	0.011
2.664	20.00	0.00	23.68	2.676	0.013
3.167	12.00	0.00	24.69	3.174	0.006
3.603	6.00	0.00	25.64	3.610	0.007
3.855	30.00	0.00	18.29	3.845	-0.010
3.924	2.00	0.00	26.41	3.918	-0.006
4.107	26.00	0.00	18.72	4.105	-0.002
4.542	20.00	0.00	19.45	4.543	0.001
5.288	12.00	0.00	20.53	5.287	-0.002
5.471	26.00	0.00	16.65	5.464	-0.008
5.761	30.00	0.00	15.47	5.764	0.003
6.036	6.00	0.00	21.40	6.026	-0.010
6.454	20.00	0.00	16.86	6.450	-0.003
6.608	2.00	0.00	22.08	6.590	-0.018
7.555	12.00	0.00	17.78	7.551	-0.004
8.582	6.00	0.00	18.60	8.588	0.005
9.309	2.01	0.00	19.27	9.324	0.015

$V = U / 39.457071$

Oxygen (ml/l) = $\{((A0 + A1 * T + A2 * V^2) / (B0 + B1 * V) - 1.0) / (C0 + C1 * T + C2 * T^2)\} * \exp(E * P / K)$

T = temperature [deg C], K = temperature [Kelvin], P = pressure [dbar]

Residual = instrument oxygen - bath oxygen



Example Calibration Sheet – SBE 63 Temperature Output

Sea-Bird Electronics, Inc.

13431 NE 20th Street, Bellevue, WA 98005-2010 USA
 Phone: (+1) 425-643-9866 Fax (+1) 425-643-9954 Email: seabird@seabird.com

SENSOR SERIAL NUMBER: 0242
 CALIBRATION DATE: 14-Sep-12

SBE 63 OXYGEN CALIBRATION DATA

COEFFICIENTS

TA0 = 6.711077e-004 TA2 = 8.228029e-007
 TA1 = 2.480232e-004 TA3 = 9.213712e-008

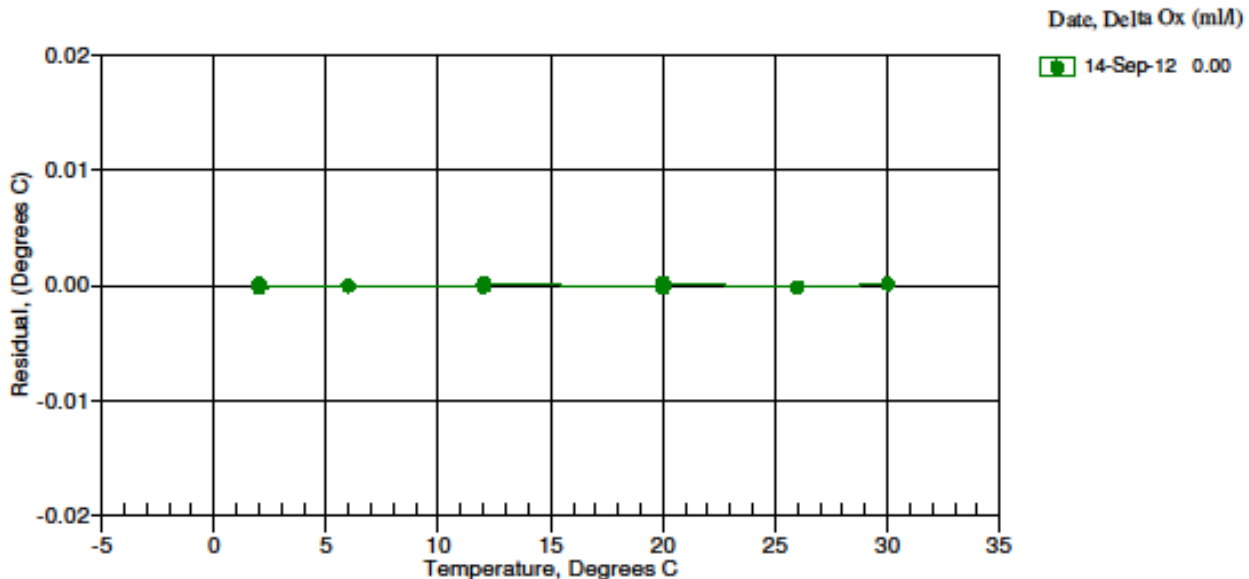
BATH TEMP (ITS-90)	INSTRUMENT OUTPUT	INST TEMP (ITS-90)	RESIDUAL (ITS-90)
2.0000	1.26912	2.0001	0.00014
2.0000	1.26912	2.0001	0.00014
2.0001	1.26912	2.0001	0.00004
2.0108	1.26876	2.0106	-0.00020
6.0000	1.13620	5.9999	-0.00005
6.0000	1.13620	5.9999	-0.00005
6.0000	1.13620	5.9999	-0.00005
6.0000	1.13620	5.9999	-0.00005
11.9999	0.95559	11.9999	-0.00001
11.9999	0.95559	11.9999	-0.00001
12.0000	0.95559	11.9999	-0.00011
12.0001	0.95558	12.0003	0.00015
19.9999	0.75137	20.0002	0.00026
19.9999	0.75138	19.9997	-0.00018
20.0000	0.75137	20.0002	0.00016
20.0000	0.75137	20.0002	0.00016
26.0000	0.62467	25.9999	-0.00015
26.0000	0.62467	25.9999	-0.00015
26.0000	0.62467	25.9999	-0.00015
26.0000	0.62467	25.9999	-0.00015
30.0000	0.55173	30.0001	0.00009
30.0000	0.55173	30.0001	0.00009
30.0000	0.55173	30.0001	0.00009

Temperature ITS-90 = $1 / (TA0 + TA1 * L + TA2 * L^2 + TA3 * L^3) - 273.15$ (°C)

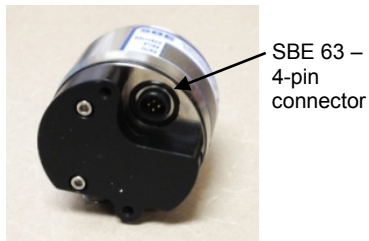
$L = \ln(100000 * V / (3.3 - V))$

V = thermistor voltage

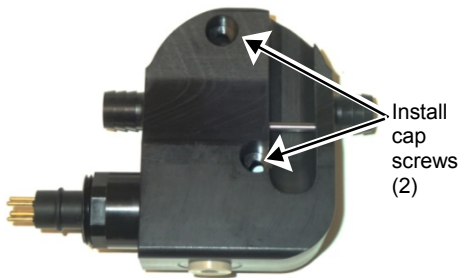
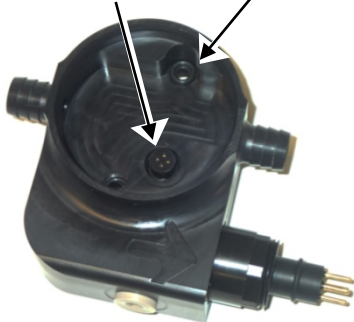
Residual = instrument temperature - bath temperature



Appendix II: Installation/Removal from Optional Sensor Mount



Sensor mount – 4-pin connector



Installation

1. Place the two small O-rings on the sensor mount screw holes.
2. Align the 4-pin connectors and push the SBE 63 onto the mount.
3. Install the two #10-24, 1/2" titanium cap screws from the back of the sensor mount to secure the SBE 63 in the mount.

Removal

1. Remove the two #10-24, 1/2" titanium cap screws from the back of the sensor mount that secure the SBE 63 in the mount.
2. Pull the SBE 63 straight out of the sensor mount. If it is difficult to remove:
 - Use a rubber glove to provide a better grip as you pull. **OR**
 - Insert **one** of the cap screws in the sensor mount, and thread it just one or two turns. Push the head of the screw with a driver; this will push against the housing and free the O-ring seal. Remove the cap screws, and then pull the SBE 63 straight out of the sensor mount.

Appendix III: Command Summary

Category	Command	Description
Status	GetSD	Get and display Configuration Data.
	GetHD	Get and display Hardware Data.
	GetCC	Get and display Calibration Coefficients.
	DS	Get and display Status Data in non-XML form.
	DC	Get and display Calibration coefficients in non-XML form.
	Get<x>	Get and display settings for individual commands. For example, GetFormat displays data output format set by SetFormat= .
Setup	SetBaud=x	x= Baud rate (600, 1200, 2400, 4800, 9600, 14400, 19200, 38400, 56000, 57600, 115200). Default 9600.
	SetEcho=x	x=1: Echo characters received from computer. Default. x=0: Do not.
	SetFormat=x	x=0: Converted oxygen and temperature (with units). x=1: Raw phase delay and thermistor voltage, converted oxygen and temperature (no units), for compatibility with Argo CTD, SeaCATs (16plus V2, 16plus-IM V2, 19plus V2), and MicroCATs (37-SMP-ODO, 37-IMP-ODO). Default. x=2: Raw and converted data. x=3: Instrument name, serial number, and converted data.
	SetBootDelay=x	x= delay after power is applied before sampling (1 - 255 sec). Default 1. Only applicable if AutoRun=1 .
	SetInterval=x	x= interval between samples (1 – 32,767 sec) for autonomous sampling. Default 4.
	SetAvg=x	x = number of measurements to average per sample (1–64, or 1–32 for 1Hz sampling); each measurement takes approximately 0.0167 sec. Increasing SetAvg= may shorten sensor film life. Default 2.
	SetAutoRun=x	x=0: Wait for command when power is applied. Default. x=1: Begin sampling when power is applied. First sample is taken after SetBootDelay= .
	*Default	Reset most Setup parameters to factory defaults. Note that baud (SetBaud=) is not reset.
Sampling	Start or Go	Start autonomous sampling at rate set by SetInterval= . To stop autonomous sampling, click Esc or send Stop (which then allows you to enter status or setup commands), or remove power.
	Stop	Stop autonomous sampling.
	TS	Take 1 sample, transmit data in format defined by SetFormat= .
	TSR	Take 1 sample, transmit data in raw format (for factory diagnostics).
Coefficients (F=floating point number; S=string with no spaces) Initially factory-set and should agree with Calibration Certificate shipped with SBE 63.	SetCalDate=S	S= calibration date (days since January 1, 2000).
	SetTA0=F	F= TA0 coefficient.
	SetTA1=F	F= TA1 coefficient.
	SetTA2=F	F= TA2 coefficient.
	SetTA3=F	F= TA3 coefficient.
	SetA0=F	F= A0 coefficient.
	SetA1=F	F= A1 coefficient.
	SetA2=F	F= A2 coefficient.
	SetB0=F	F= B0 coefficient.
	SetB1=F	F= B1 coefficient.
	SetC0=F	F= C0 coefficient.
	SetC1=F	F= C1 coefficient.
	SetC2=F	F= C2 coefficient.
	SetE=F	F= E coefficient.
	SetSolB0=F	F= SolB0 coefficient.
	SetSolB1=F	F= SolB1 coefficient.
	SetSolB2=F	F= SolB2 coefficient.
	SetSolB3=F	F= SolB3 coefficient.
	SetSolC0=F	F= SolC0 coefficient.
	SetTau20=F	F= sensor response time (0 – 600.0 sec; default 5.5). Used by 37-SMP-ODO and 37-IMP-ODO MicroCATs in pumping time calculation for Adaptive Pump Control.
	SetRefSal=F	F= Reference salinity (0 – 1000.0 psu) to use for oxygen calculation in converted units. Default 0. For moorings, enter approximate value expected for deployment. For profiling, enter 0, and correct for salinity in post-processing.
	SetRefP=F	F= Reference pressure (0 – 10,000.0 dbar) to use for oxygen calculation in converted units. Default 0. For moorings, enter approximate value expected for deployment. For profiling, enter 0, and correct for pressure in post-processing.

Appendix IV: Replacement Parts

Note:

Previous versions of the SBE 63 had a different hardware configuration, and required a different sensor mount for use on SeaCATs (SBE 16*plus* V2, 16*plus*-IM V2, 19*plus* V2). If ordering a mount for an SBE 63 purchased previously, provide the SBE 63 serial number so we can verify the correct mount.

Part Number	Part	Application Description	Quantity in SBE 63
802296	Plastic sensor mount with XSG connector	For mounting on and integration with SBE 16 <i>plus</i> V2, 16 <i>plus</i> -IM V2, or 19 <i>plus</i> V2 (for depths to 5000 m)	-
50510	Plastic sensor mount kit with XSG connector	Kit includes sensor mount (802296), clamp, and tape; for mounting on and integration with SBE 16 <i>plus</i> V2, 16 <i>plus</i> -IM V2, or 19 <i>plus</i> V2 (for depths to 5000 m)	-
802297	Plastic sensor mount with wet-pluggable (MCBH) connector	For mounting on and integration with SBE 16 <i>plus</i> V2, 16 <i>plus</i> -IM V2, or 19 <i>plus</i> V2 (for depths to 5000 m)	-
50511	Plastic sensor mount kit with wet-pluggable (MCBH) connector	Kit includes sensor mount (802297), clamp, and tape; for mounting on and integration with SBE 16 <i>plus</i> V2, 16 <i>plus</i> -IM V2, or 19 <i>plus</i> V2 (for depths to 5000 m)	-
802363	Titanium sensor mount with XSG connector	For mounting on and integration with SBE 16 <i>plus</i> V2, 16 <i>plus</i> -IM V2, or 19 <i>plus</i> V2 (for depths to 7000 m)	-
50584	Titanium sensor mount kit with XSG connector	Kit includes sensor mount (802363), clamp, and tape; for mounting on and integration with SBE 16 <i>plus</i> V2, 16 <i>plus</i> -IM V2, or 19 <i>plus</i> V2 (for depths to 7000 m)	-
802364	Titanium sensor mount with wet-pluggable (MCBH) connector	For mounting on and integration with SBE 16 <i>plus</i> V2, 16 <i>plus</i> -IM V2, or 19 <i>plus</i> V2 (for depths to 7000 m)	-
50585	Titanium sensor mount kit with wet-pluggable (MCBH) connector	Kit includes sensor mount (802364), clamp, and tape; for mounting on and integration with SBE 16 <i>plus</i> V2, 16 <i>plus</i> -IM V2, or 19 <i>plus</i> V2 (for depths to 7000 m)	-
311133	#10-24 cap screws, 1/2" length, titanium	Secure SBE 63 in optional sensor mount	-
17088	Interface cable with XSG connectors	For integration with SBE 16 <i>plus</i> V2, 16 <i>plus</i> -IM V2, or 19 <i>plus</i> V2	-
171792	Interface cable with wet-pluggable (MCBH) connectors	For integration with SBE 16 <i>plus</i> V2, 16 <i>plus</i> -IM V2, or 19 <i>plus</i> V2	-
31450	Tygon tubing, 1/2" ID X 3/4" OD, 2 m, Black	Main plumbing for integration with SBE 16 <i>plus</i> V2, 16 <i>plus</i> -IM V2, or 19 <i>plus</i> V2	-
90087	Universal plumbing kit	Includes air release valve, Y-fitting, and tubing for integration with SBE 16 <i>plus</i> V2, 16 <i>plus</i> -IM V2, or 19 <i>plus</i> V2	-

Appendix V: Manual Revision History

Manual Version	Date	Description
001	02/12	<ul style="list-style-type: none"> Initial release of production units.
002	05/12	<ul style="list-style-type: none"> Firmware 1.1: Update status responses to show setting for new command *serpause = (factory setting). Add information on use with SBE 37 ODO MicroCATs. Remove information that SBE 19<i>plus</i> V2 must be in moored mode for use with the SBE 63 (it can be moored or profiling mode). Add information on photobleaching to Sensor Calibration in Section 6. Add information on Triton-X to glossary. Correct typos.
003	06/12	<ul style="list-style-type: none"> Correct units in specification -- correct units are $\mu\text{mol/kg}$, not $\mu\text{M/kg}$. Maximum depth rating 7000 m, not 5000 m. Update initial accuracy specification. Add example calibration sheets, and information on converting data output to engineering units if not using Sea-Bird software. For Argo float CTD, add information that RS-232 interface required in float controller. For integration with RS-485 MicroCAT CTD, add information on required <SerPause> setting. Add troubleshooting for incorrect calibration coefficients in MicroCAT integrated with SBE 63. Add information on limitations with high baud rates.
004	01/13	<ul style="list-style-type: none"> Firmware 2.0.0: Update GetHD response. Clarify that the raw output is the phase <i>delay</i>. Update information on software compatibility. Correct typos.
005	04/13	<ul style="list-style-type: none"> Firmware 3.0.1: Add SetEcho= command, update status responses. Update power consumption to 0.08 J/sample from 0.2 J/sample. Remove 2000 m option. Update drawings, photos, and mount kit part numbers for latest hardware versions (new sensor connector and sensor mount). Update Serial Port Config dialog in Seaterm232. Add cables and sensor mount kits for SeaCAT interface to replacement parts. Fix typos.
006	05/13	<ul style="list-style-type: none"> Firmware 3.1.0: <ul style="list-style-type: none"> - When changing baud rate with SetBaud=, SB> prompt for confirmation is now S> prompt. - Update GetSD and GetHD responses to include new factory setting for TxPwrSave. Add DS command and response to documentation. Add information on factory default settings that are reset with *Default. Update time required for each additional measurement in description of SetAvg command.
007	10/13	<ul style="list-style-type: none"> Update sensor mount for use on SeaCATs. Update Declaration of Conformity. Clarify benefits of pumped system. Update SeatermV2 screen capture. Add references to Sea-Bird Navis float for Argo.
008	01/14	<ul style="list-style-type: none"> Clarify that depth rating for SBE 63 plastic mount on SeaCAT is 5000 m; add information on new 7000 m titanium mount. Clarify that temperature output is ITS-90. Remove <i>standard</i> and <i>optional</i> language when describing connectors. Add information on phase range and resolution.
009	02/15	<ul style="list-style-type: none"> Provide additional information on how MicroCATs and SeaCATs use the SBE 63 data. Remove information on SBE 37-SIP-ODO MicroCATs; not yet in development. Add caution on using spray can silicone lubricants on MCBH connectors. Update language on where to find updated software on website. Switch to Sea-Bird Scientific manual cover.

Continued on next page

Continued from previous page

010	03/15	<ul style="list-style-type: none">• Firmware rev V3.2.2, command set version 1.4:<ul style="list-style-type: none">- Add SetTau20= command.- Update status commands as applicable to correspond to new firmware output.- Add individual Get commands.
-----	-------	---

Index

A

Averaging · 29

B

Baud · 29

C

Calibration · 7, 39, 43
 Calibration coefficient commands · 31
 CE certification · 3
 Command summary · 48
 Commands
 calibration coefficients · 31
 descriptions · 20
 operating · 30
 polled sampling · 16
 sampling · 30
 setup · 29
 status · 21
 Communication defaults · 13
 Connector · 9, 37
 Corrosion precautions · 37

D

Data format · 32
 Data output format · 29
 Declaration of Conformity · 3
 Deployment · 34
 preparing for · 10
 Description · 7
 Dimensions · 9
 Disassembly/reassembly · 47

E

End cap · 37

F

Format · 29, 32
 Functional description · 43

G

Glossary · 42

I

Interval · 29

L

Limited liability statement · 2

M

Maintenance · 37, 38
 Manual revision history · 50

Modes · *See* Sampling modes
 Mount · 47

O

Operating commands · 30
 Output format · 29, 32

P

Parts
 replacement · 49
 Power · 8

Q

Quick start · 5

R

Recovery · 36
 Replacement parts · 49
 Revision history · 50

S

Sample interval · 29
 Sampling · 7
 Sampling commands · 30
 Sampling modes · 16
 autonomous · 18
 polled · 16
 Seasoft · 8, 10
 Seaterm · 8
 Seaterm232 · 11
 SeatermV2 · 10, 11
 Sensor · 8
 Sensor mount · 47
 Setup commands · 29
 Software · 8
 Software installation · 10
 Specifications · 8
 Status commands · 21

T

Terminal program · 10, 11
 Testing · 10
 Triton · 42
 Troubleshooting · 40

U

Unpacking SBE 63 · 6

V

Versions · 50

W

Wiring · 10